

INGERSOLL-RAND®

Dura-Lite™ Series Air Motors

For Light Industrial Applications



INGERSOLL-RAND
PRODUCTION EQUIPMENT

Ingersoll-Rand's new Dura-Lite™ air motors combine durability with affordability. Their reliable performance and application flexibility provide economical solutions for a wide variety of light and medium duty industrial tasks.

- Drilling Machines
- Feeding Machines
- Medical Pumps
- Punch Presses
- Printing Machinery
- Assembly Machinery

Dura-Lite motors are manufactured by our joint venture, Ingersoll-Rand Wadco. Wadco has 25 years of experience in air motor design and manufacturing. Every Dura-Lite motor meets Ingersoll-Rand's exacting quality standards.

Air motors provide a compact, lightweight and safe source of power which is a perfect alternative to electric sources. Unlike electric motors, air motors are well suited for applications which involve frequent stalling, reversals and overloading. The cool and spark-free operation of air motors makes them suitable for applications in hazardous areas. Minimal maintenance and simple controls make air motors an attractive option for your industrial motor needs.

Typical Dura-Lite Applications:

- Paint Systems
- Textile Machinery
- Strapping Machines

Performance Data at 90 psi

2MA SERIES 0.28 – 0.32 HP, NON-REVERSIBLE, FLANGE MOUNTED, KEYED SHAFT

Model	Maximum Power hp	Free Speed rpm	Speed at Max HP rpm	Torque at Max HP ft lbs	Stall Torque ft lbs	Air Consumption at Free Speed (cfm)	Air Consumption at Max HP (cfm)
* 2MA-55	0.28	50	30	55.0	83.0	18	13
* 2MA-90	0.29	80	45	36.0	56.3	18	13
2MA-225	0.30	205	110	15.0	24.2	18	13
2MA-400	0.30	365	195	8.2	13.7	18	13
2MA-600	0.31	585	310	5.3	9.1	18	13
2MA-1000	0.31	930	495	3.3	5.7	18	13
2MA-2500	0.32	2540	1350	1.3	2.3	18	13
2MA-4000	0.32	4060	2150	0.8	1.4	18	13

NOTE: Starting torque is approx. 75% of stall torque.
*Applications with these models must be limited to 25 ft lbs of torque.

202MA SERIES
0.38 – 0.44 HP, NON-REVERSIBLE, FLANGE MOUNTED, THREADED SHAFT

Model	Maximum Power hp	Free Speed rpm	Speed at Max HP rpm	Torque at Max HP ft lbs	Stall Torque ft lbs	Air Consumption at Free Speed (cfm)	Air Consumption at Max HP (cfm)
* 202MA-50	0.38	40	25	88.0	131.0	25	18
* 202MA-80	0.39	70	35	57.0	89.0	25	18
* 202MA-200	0.41	170	90	24.5	38.0	25	18
202MA-350	0.41	300	160	14.5	22.5	25	18
202MA-550	0.42	490	260	8.8	14.5	25	18
202MA-850	0.43	775	410	5.8	9.5	25	18
202MA-2250	0.43	2120	1125	2.3	3.5	25	18
202MA-3500	0.44	3380	1795	1.5	2.3	25	18

3MA SERIES
0.83 – 0.86 HP, NON-REVERSIBLE, FLANGE MOUNTED, THREADED SHAFT

Model	Maximum Power hp	Free Speed rpm	Speed at Max HP rpm	Torque at Max HP ft lbs	Stall Torque ft lbs	Air Consumption at Free Speed (cfm)	Air Consumption at Max HP (cfm)
3MA-240	0.83	225	120	36.0	62.0	42	31
3MA-450	0.85	435	245	18.0	36.0	42	31
3MA-800	0.86	820	450	10.0	17.0	42	31

22MA SERIES
0.26 – 0.28 HP, REVERSIBLE, FLANGE MOUNTED, KEYED SHAFT

Model	Maximum Power hp	Free Speed rpm	Speed at Max HP rpm	Torque at Max HP ft lbs	Stall Torque ft lbs	Air Consumption at Free Speed (cfm)	Air Consumption at Max HP (cfm)
22MA-360	0.26	335	185	7.3	11.0	17	12
22MA-540	0.27	510	280	5.0	7.5	17	12
22MA-900	0.27	825	455	3.1	4.7	17	12
22MA-2250	0.28	2210	1215	1.2	1.8	17	12
22MA-3600	0.28	3530	1940	0.8	1.2	17	12

2202MA SERIES
0.36 – 0.38 HP, REVERSIBLE, FLANGE MOUNTED, KEYED SHAFT

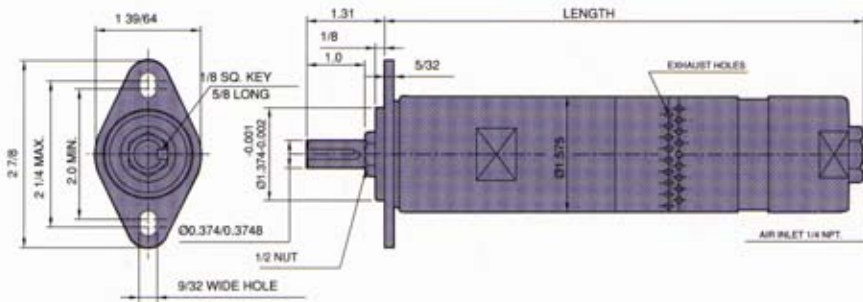
Model	Maximum Power hp	Free Speed rpm	Speed at Max HP rpm	Torque at Max HP ft lbs	Stall Torque ft lbs	Air Consumption at Free Speed (cfm)	Air Consumption at Max HP (cfm)
2202MA-320	0.36	275	140	13.5	20.0	24	17
2202MA-480	0.37	440	220	8.0	13.0	24	17
2202MA-750	0.37	700	350	5.5	8.3	24	17
2202MA-2000	0.37	1900	955	2.0	3.0	24	17
2202MA-3200	0.38	3050	1525	1.3	2.0	24	17

33MA SERIES
0.72 – 0.75 HP, REVERSIBLE, FLANGE MOUNTED, KEYED SHAFT

Model	Maximum Power hp	Free Speed rpm	Speed at Max HP rpm	Torque at Max HP ft lbs	Stall Torque ft lbs	Air Consumption at Free Speed (cfm)	Air Consumption at Max HP (cfm)
33MA-220	0.72	210	115	32.3	48.5	39	28
33MA-405	0.74	380	220	17.5	26.6	39	28
33MA-720	0.75	715	395	9.8	14.7	39	28

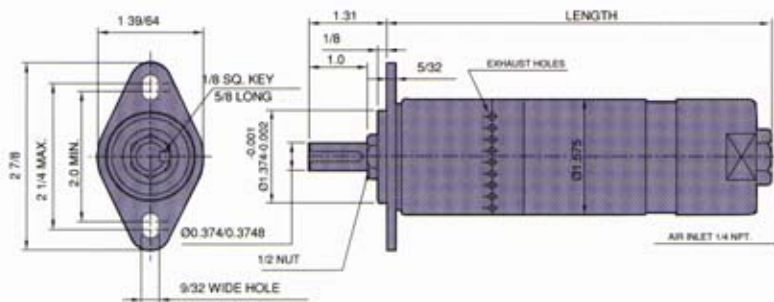
NOTE: Starting torque is approx. 75% of stall torque.
 *Applications with these models must be limited to 25 ft lbs of torque.

Dimensional Data (All dimensions are in inches.)



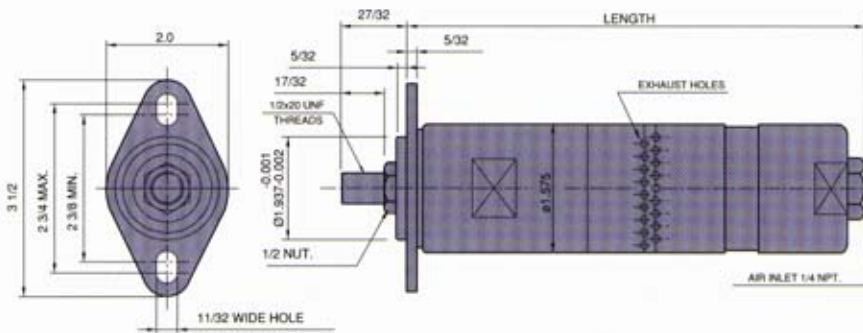
2MA SERIES

Model	Length in	Weight lbs
2MA-55	7 3/32	2.4
2MA-90	7 3/32	2.4
2MA-225	7 3/32	2.4
2MA-400	5 29/32	1.8
2MA-600	5 29/32	1.8
2MA-1000	5 29/32	1.8



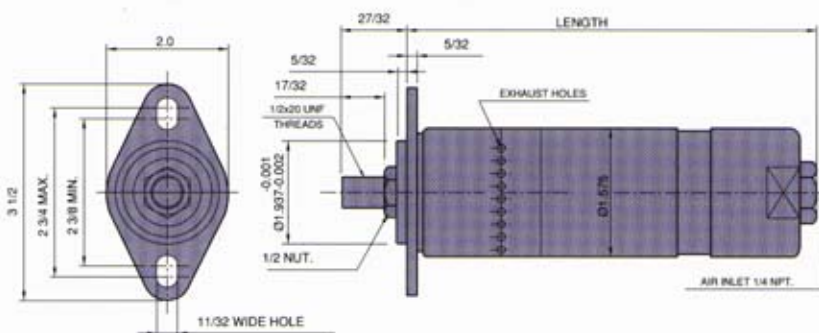
2MA SERIES

Model	Length in	Weight lbs
2MA-2500	4 59/64	1.1
2MA-4000	4 59/64	1.1



202MA SERIES

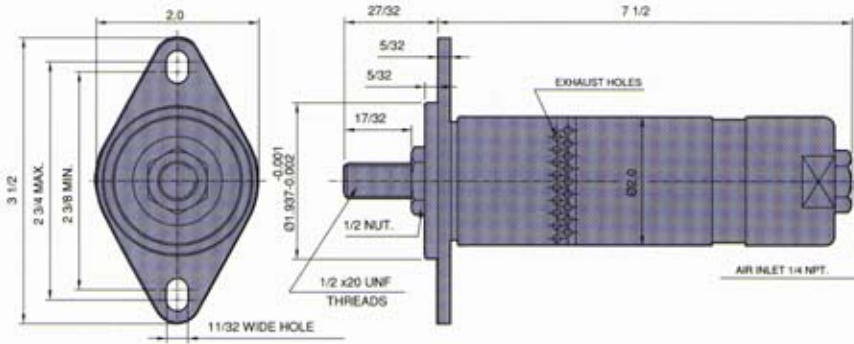
Model	Length in	Weight lbs
202MA-50	7 1/2	2.9
202MA-80	7 1/2	2.9
202MA-200	7 1/2	2.9
202MA-350	6 9/32	2.2
202MA-550	6 9/32	2.2
202MA-850	6 9/32	2.2



202MA SERIES

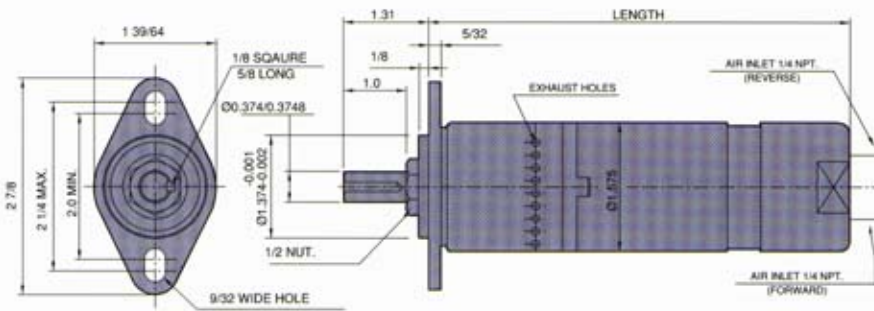
Model	Length in	Weight lbs
202MA-2250	5 5/16	1.5
202MA-3500	5 5/16	1.5

(All dimensions are in inches.)



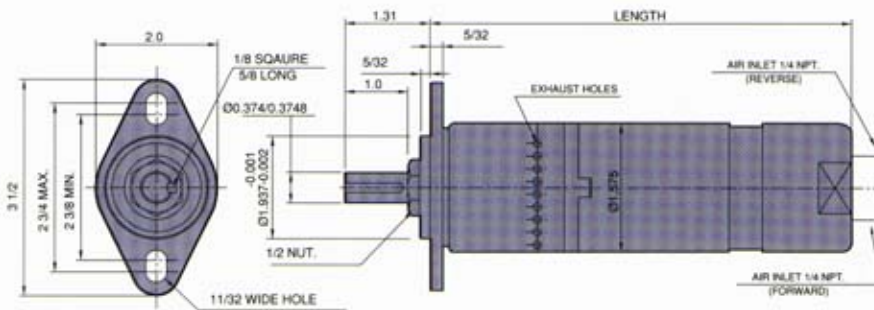
3MA SERIES

Model	Length in	Weight lbs
3MA-240	7 1/2	4.0
3MA-450	7 1/2	4.0
3MA-800	7 1/2	4.0



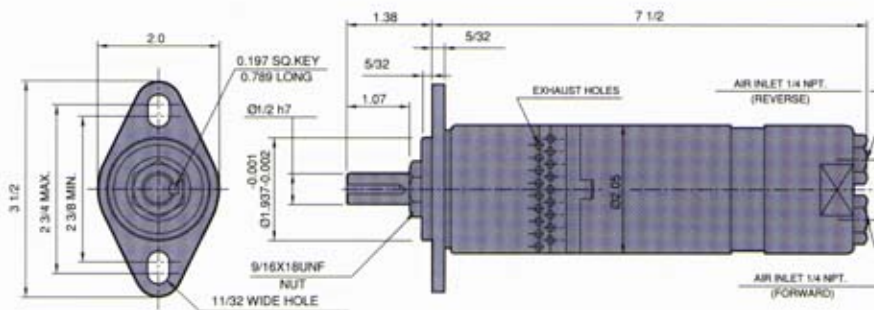
22MA SERIES

Model	Length in	Weight lbs
22MA-360	5 17/32	1.8
22MA-540	5 17/32	1.8
22MA-900	5 17/32	1.8
22MA-2250	4 34/64	1.1
22MA-3600	4 34/64	1.1



2202MA SERIES

Model	Length in	Weight lbs
2202MA-320	5 29/32	2.0
2202MA-480	5 29/32	2.0
2202MA-750	5 29/32	2.0
2202MA-2000	4 59/64	1.3
2202MA-3200	4 59/64	1.3



33MA SERIES

Model	Length in	Weight lbs
33MA-220	7 1/2	4.0
33MA-405	7 1/2	4.0
33MA-720	7 1/2	4.0



INGERSOLL-RAND
PRODUCTION EQUIPMENT

Factory:

Ingersoll-Rand Wadco
37A, Site 4, Sahibabad Ind Area
Ghaziabad, India

Technical Support:

Tool & Hoist Division
Ingersoll-Rand Company
P.O. Box 8000
1725 U.S. #1 North
Southern Pines, NC 28387
(910) 692-8700
(910) 692-8013 FAX

Visit Our Website at www.airmotors.com