

# SALES & ENGINEERING DATA

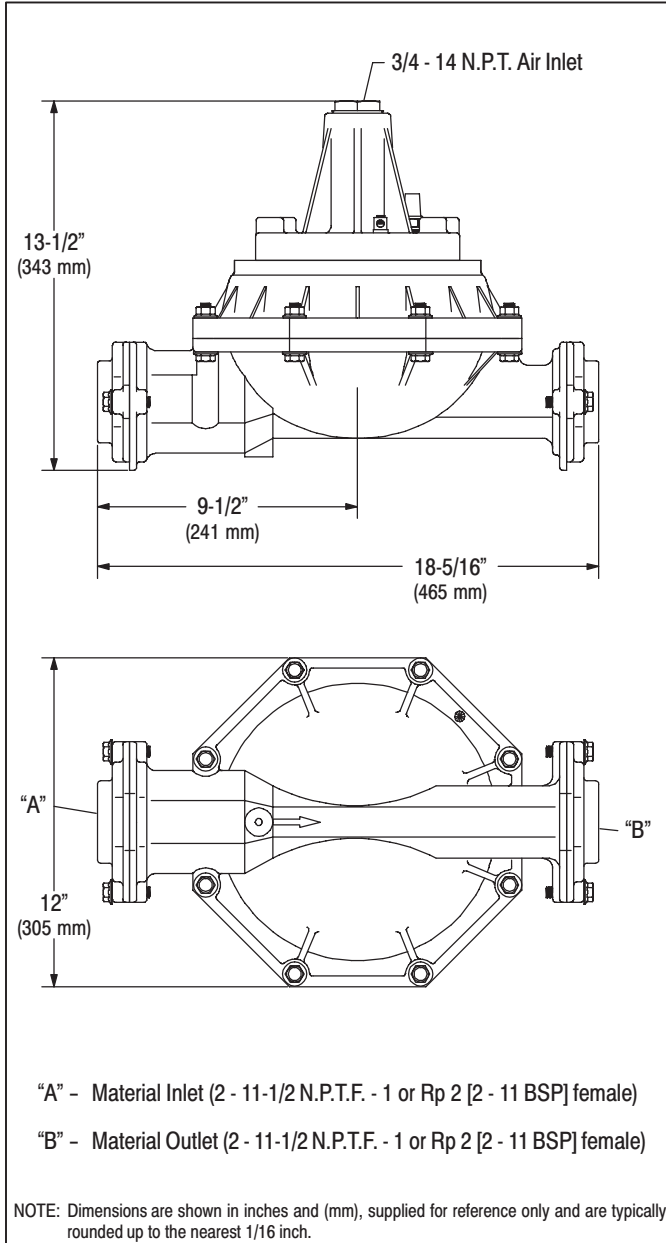
RATIO SERIES:

FLUID P.S.I. RANGE: **20 - 120**

## SB20X-XXX-X SHOCK BLOCKER® 2" METALLIC PULSATION DAMPENER

RELEASED: 6-1-00  
REVISED: 5-20-05  
(REV. C) S-1080

### DIMENSIONAL DATA



### SPECIFICATIONS

#### CONSTRUCTION

Model Series	SB20X-XXX-X
Pulsation Dampener Type	Metallic
Material Inlet / Outlet (female)	
SB20X- <u>A</u> XX-X	2 - 11-1/2 N.P.T.F. - 1
SB20X- <u>B</u> XX-X	Rp 2 (2 - 11 BSP parallel)
Air Inlet (female)	3/4 - 14 N.P.T.
Air Exhaust (female)	1/8 - 27 N.P.T.
Weight	
SB20X- <u>A</u> XX-X	29 lbs (13.2 kgs)
SB20X- <u>C</u> XX-X	70 lbs (31.8 kgs)
SB20X- <u>S</u> XX-X	71 lbs (32.2 kgs)
Pulsation Dampener Service Kit	637330-2X

SB20X - XXX -  X  
637330 - 2  X Diaphragm Material

EXAMPLE: Model #SB20A-BAP-G  
Pulsation Dampener Service Kit is 637330-2G

#### PERFORMANCE

Maximum Air Inlet Pressure	120 p.s.i. (8.3 bar)
Maximum Material Inlet Pressure	120 p.s.i. (8.3 bar)
Maximum Temperature Limits (diaphragm / seal material)	
E.P.R. / EPDM	-60° to 280° F (-51° to 138° C)
Nitrile	10° to 180° F (-12° to 82° C)
Santoprene®	-40° to 225° F (-40° to 107° C)
T.F.E. (Teflon®)	40° to 225° F (4° to 107° C)
Viton®	-40° to 350° F (-40° to 177° C)
Maximum Fluid Volume	159 in. <sup>3</sup> (2.61 lit.)

#### 1-1/2" PUMP % REDUCTION IN PULSATION

BACK PRESSURE (P.S.I.)	% REDUCTION IN PULSATION					
	1	20	40	60		
40	80%			70%		
60	80%			70%		
80	80%			65%		
100	80%			70%		
		1	20	40	60	80
		Flow (g.p.m.)				

#### 2" PUMP % REDUCTION IN PULSATION

BACK PRESSURE (P.S.I.)	% REDUCTION IN PULSATION					
	3	30	70	100		
40	65%			55%		
60	70%			60%		
80	70%			55%		
100	60%			55%		
		3	30	70	100	130
		Flow (g.p.m.)				