

SALES & ENGINEERING DATA

RATIO SERIES: **28:1**

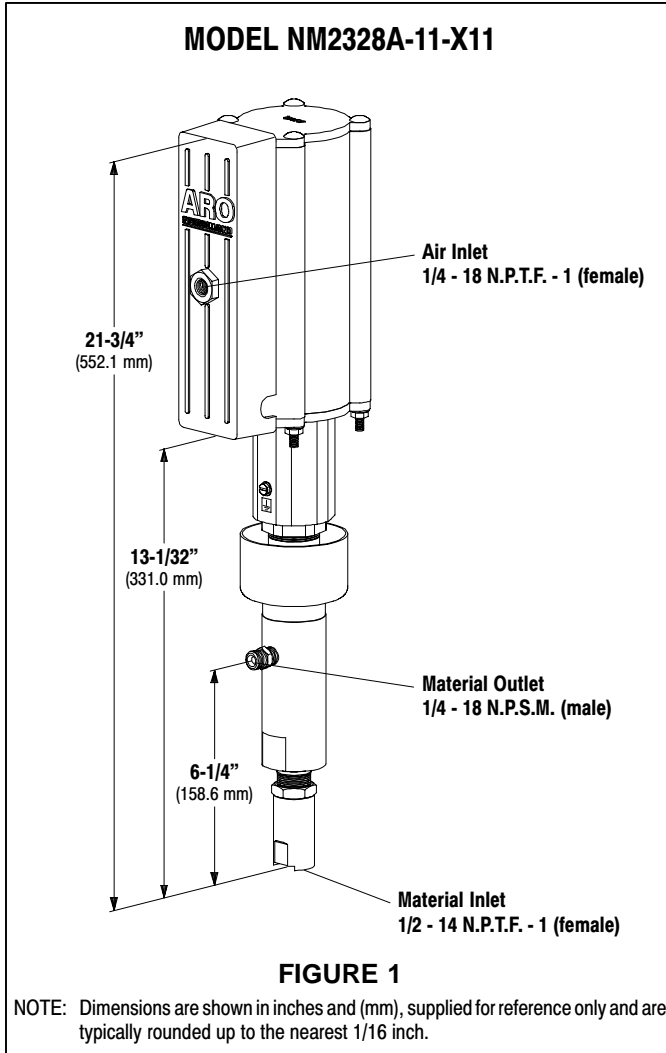
FLUID P.S.I. RANGE: **0 - 4200**



NM2328A-11-() TWO - BALL PUMP

RELEASED: 10-17-97
REVISED: 10-31-00
S-988

DIMENSIONAL DATA



SPECIFICATIONS

Model Series	NM2328A-11-X11
Pump Type	Air Operated, Two-Ball, Stainless Steel Pump
Ratio	28:1
Air Motor	66914
Air Motor Repair Kit	637316
Air Motor Diameter	3" (7.62 cm)
Stroke	3" (7.62 cm)
Air Inlet	1/4 - 18 N.P.T.F. - 1 (female)
Lower Pump End Series	66066-X
Lower Pump Repair Kit	
NM2328A-11-311	637006-1
NM2328A-11-G11	637006-2
NM2328A-11-S11	637006-3
Material Inlet	1/2 - 14 N.P.T.F. - 1 (female)
Material Outlet	1/4 - 18 N.P.S.M. (male)

MATERIALS OF CONSTRUCTION

Outlet Body	440 Stainless Steel
Plunger	440 Stainless Steel
Upper Packing	
NM2328A-11-311	Glass Filled Teflon
NM2328A-11-G11	UHMW-PE / Leather staggered
NM2328A-11-S11	UHMW-PE / Glass Filled Teflon staggered
Lower Packing	
NM2328A-11-311	Glass Filled Teflon
NM2328A-11-G11	UHMW-PE / Leather staggered
NM2328A-11-S11	UHMW-PE / Glass Filled Teflon staggered
Upper Ball	440 Stainless Steel
Upper Seat	440 Stainless Steel
Lower Ball	440 Stainless Steel
Lower Seat	440 Stainless Steel
Inlet Body	304 Stainless Steel

PERFORMANCE

Air Inlet Pressure Range	0 - 150 p.s.i. (0 - 10.3 bar)
Fluid Pressure Range	0 - 4200 p.s.i. (0 - 289.7 bar)
Max. Rec'd Cycles / Minute	125
Displacement In³ Per Cycle	1.47 (180.2 ml)
Volume / Cycle	0.81 oz. (.45 ml)
Cycles Per Gallon	157.5
Flow @ 60 Cycles / Minute	0.38 g.p.m. (1.44 l.p.m.)
Noise Level @ 100 p.s.i.	85 db(A) ^①

① The pump sound pressure level has been updated to an Equivalent Continuous Sound Level (L_{Aeq}) to meet the intent of ANSI S1. 13-1971, CAGI-PNEUROP S5.1 using four microphone locations.

ACCESSORIES:

- 61113 Wall Mount Bracket
- 66073-1 Air Line Connection Kit



PERFORMANCE CURVES

