

SALES & ENGINEERING DATA



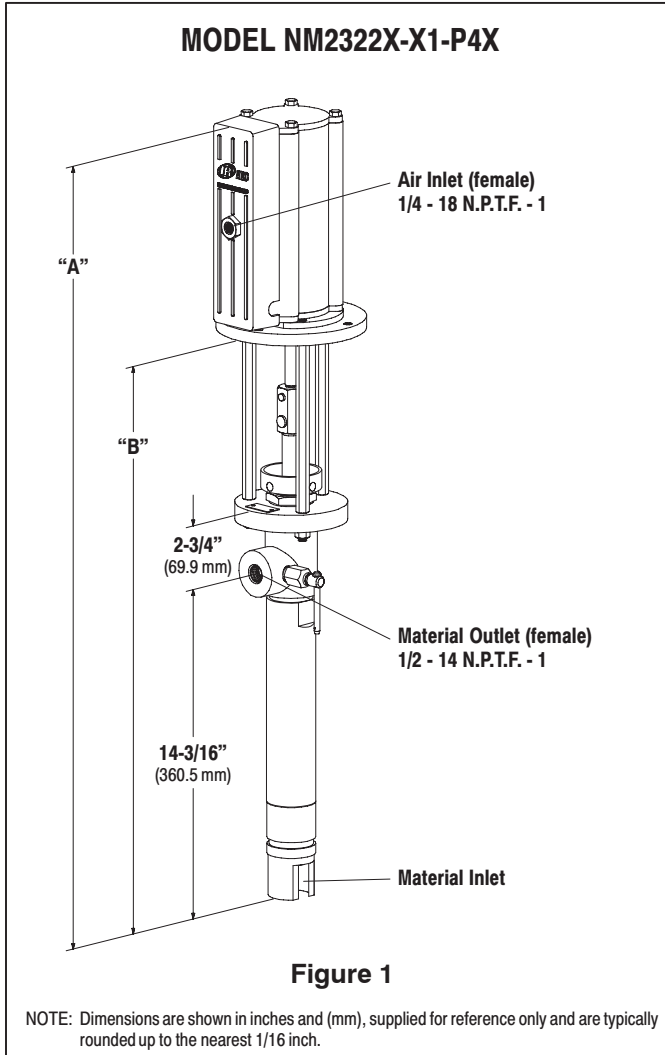
NM2322()-(-)-() CHOP CHECK PUMP

RATIO SERIES: **22:1**

FLUID P.S.I. RANGE: **0 - 3300**

RELEASED: 10-17-97
REVISED: 8-17-04
(REV. 04) S-922

DIMENSIONAL DATA



MODEL	"A" (mm)	"B" (mm)
NM2322X-11-P4X	33-23/32" (856.1)	24-15/32" (620.8)
NM2322X-71-P4X	42-5/8" (1082.6)	33-11/32" (846.9)

SPECIFICATIONS

Model Series	NM2322X-X1-P4X
Pump Type	Air Operated, Chop Check Pump
Ratio	22:1
Air Motor	66915
Air Motor Repair Kit	637316
Air Motor Diameter	3" (7.62 cm)
Stroke	3" (7.62 cm)
Air Inlet (female)	1/4 - 18 N.P.T.F. - 1
Lower Pump End Series	
NM2322E-X1-P43	67100-P43
NM2322E-X1-P48	67100-P48
NM2322F-X1-P43	67101-P43
NM2322F-X1-P48	67101-P48
Lower Pump Repair Kit	
NM2322E-X1-P43	637290-P43
NM2322E-X1-P48	637290-P48
NM2322F-X1-P43	637291-P43
NM2322F-X1-P48	637291-P48
Material Outlet (female)	1/2 - 14 N.P.T.F. - 1

MATERIALS OF CONSTRUCTION

Outlet Body	NM2322E-X1-P4X	Ductile Iron
	NM2322F-X1-P4X	316 Stainless Steel
Cylinder	NM2322E-X1-P4X	Carbon Steel
	NM2322F-X1-P4X	15-5 Stainless Steel
Plunger		17-4 Stainless Steel
Upper Packing		UHMW-PE / Glass Filled Teflon staggered
Middle Packing		UHMW-PE
Lower Packing		Glass Filled Teflon
Inlet Body	NM2322E-X1-P4X	Carbon Steel
	NM2322F-X1-P4X	316 Stainless Steel
Weight	NM2322X-11-P4X	29 lbs (13.2 kgs)
	NM2322X-71-P4X	33 lbs (15.0 kgs)

PERFORMANCE

Air Inlet Pressure Range	0 - 150 p.s.i. (0 - 10.3 bar)
Fluid Pressure Range	0 - 3300 p.s.i. (0 - 227.6 bar)
Maximum Rec'd Cycles / Minute	120
Maximum Working Flow Rate	0.99 g.p.m. (3.74 l.p.m.)
Displacement / Cycle @ 100 p.s.i.	1.9 in. ³ (31 ml)
Cycles Per Gallon	121.6
Noise Level @ 100 p.s.i.	85 db(A) ^①

① The pump sound pressure level has been updated to an Equivalent Continuous Sound Level (L_{Aeq}) to meet the intent of ANSI S1. 13-1971, CAGI-PNEUROP S5.1 using four microphone locations.

ACCESSORIES:

61113 Wall Mount Bracket
66073-1 Air Line Connection Kit

PERFORMANCE CURVES

