

SALES & ENGINEERING DATA



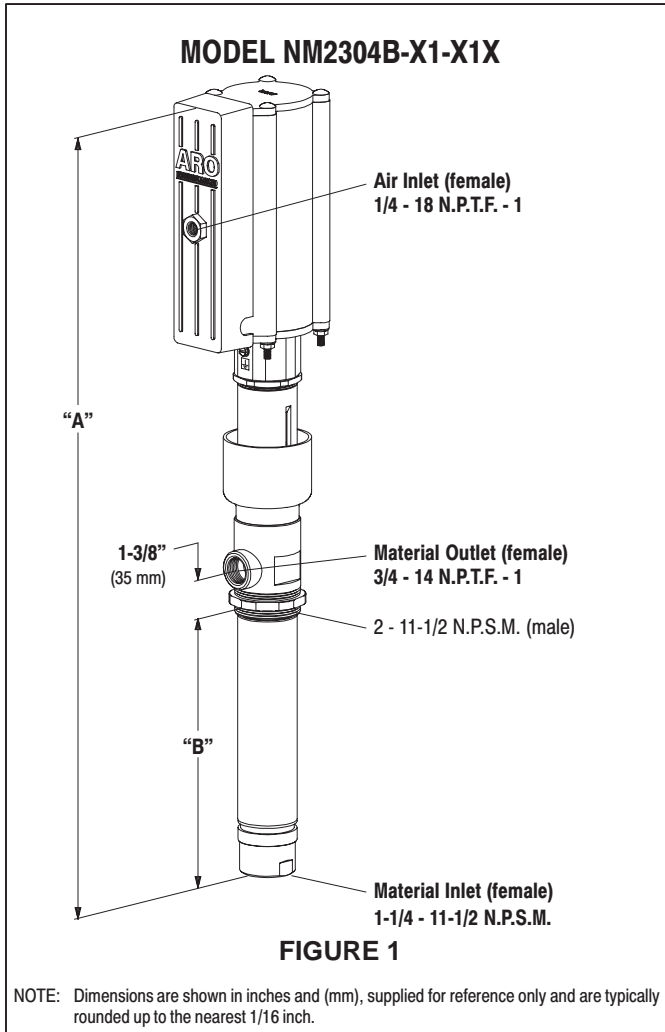
NM2304B-() TWO - BALL PUMP

RATIO SERIES: **4:1**

FLUID P.S.I. RANGE: **0 - 600**

RELEASED: 10-17-97
REVISED: 5-14-02
S-921

DIMENSIONAL DATA



MODEL	"A" (mm)	"B" (mm)	WEIGHT (kg)
NM2304B-11-X1X	28-1/8" (714.4)	9-23/32" (246.8)	32 (14.5)
NM2304B-41-X1X	51-21/32" (1312.1)	33-1/4" (844.6)	46 (20.9)

SPECIFICATIONS

Model Series	NM2304B-X1-X1X
Pump Type	Air Operated, Two-Ball, Stainless Steel Pump
Ratio	4:1
Air Motor	66913
Air Motor Repair Kit	637316
Air Motor Diameter	3" (7.62 cm)
Stroke	3" (7.62 cm)
Air Inlet (female)	1/4 - 18 N.P.T.F. - 1
Lower Pump End Series	6510X-X
Lower Pump Repair Kit	
NM2304B-X1-C1X	637010-4
NM2304B-X1-31X	637010
NM2304B-X1-W11	637010-6
Material Inlet (female)	1-1/4 - 11-1/2 N.P.S.M.
Material Outlet (female)	3/4 - 14 N.P.T.F. - 1

MATERIALS OF CONSTRUCTION

Outlet Body	316 Stainless Steel
Cylinder	
NM2304B-X1-X11	316 Stainless Steel
NM2304B-X1-X1B	Ceramic Coated 316 St. St.
Plunger	316 Stainless Steel
Upper Packing	
NM2304B-X1-C1X	UHMW-PE
NM2304B-X1-31X	Teflon
NM2304B-X1-W1X	Viton
Lower Packing	
NM2304B-X1-C1X	UHMW-PE
NM2304B-X1-31X	Teflon
NM2304B-X1-W1X	Teflon
Upper Ball	316 Stainless Steel
Upper Seat	316 Stainless Steel
Lower Ball	316 Stainless Steel
Inlet Body	316 Stainless Steel

PERFORMANCE

Air Inlet Pressure Range	0 - 150 p.s.i. (0 - 10.3 bar)
Fluid Pressure Range	0 - 600 p.s.i. (0 - 41.4 bar)
Maximum Rec'd Cycles / Minute	120
Maximum Working Flow Rate	4.26 g.p.m. (16.12 l.p.m.)
Displacement / Cycle @ 100 p.s.i.	8.2 in. ³ (134.3 ml)
Cycles Per Gallon	28
Noise Level @ 100 p.s.i.	85 db(A) ^①

① The pump sound pressure level has been updated to an Equivalent Continuous Sound Level (L_{Aeq}) to meet the intent of ANSI S1. 13-1971, CAGI-PNEUROP S5.1 using four microphone locations.

ACCESSORIES:

61113 Wall Mount Bracket
66073-1 Air Line Connection Kit



PERFORMANCE CURVES

