

SALES & ENGINEERING DATA

RATIO SERIES: **2:1**

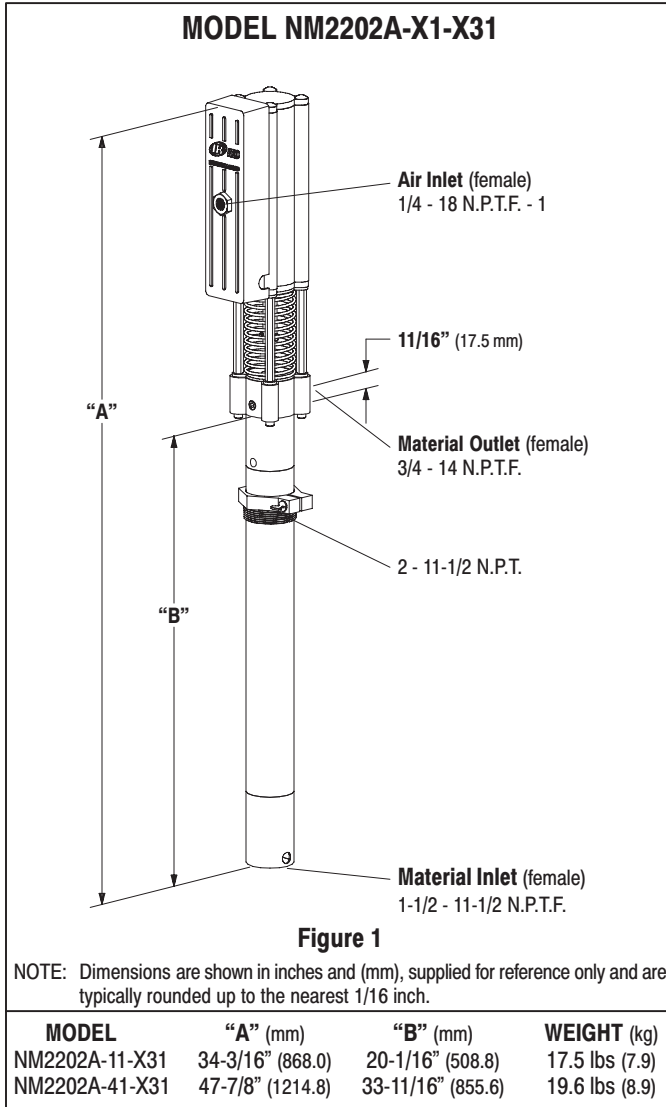
FLUID P.S.I. RANGE: **0 - 351**



NM2202A-() TWO - BALL PUMP

RELEASED: 3-6-03
REVISED: 2-24-04
REV. 03 S-1270

DIMENSIONAL DATA



ACCESSORIES:
61113 Wall Mount Bracket
66073-1 Air Line Connection Kit

SPECIFICATIONS

Model Series	NM2202A-X1-X31
Pump Type	Air Operated, Two-Ball Oil Pump
Ratio	2:1
Air Motor	67316
Air Motor Repair Kit	637377
Air Motor Diameter	2" (5.08 cm)
Stroke	3" (7.62 cm)
Air Inlet (female)	1/4 - 18 N.P.T.F. - 1
Lower Pump End Series	
NM2202A-11-X31	67320-X31
NM2202A-41-X31	67319-X31
Lower Pump Repair Kit	637378-X31
Material Inlet	
NM2202A-11-X31 (female)	1-1/2 - 11-1/2 N.P.T.F. - 1
NM2202A-41-X31	immersed inlet
Material Outlet (female)	3/4 - 14 N.P.T.F. - 1

MATERIALS OF CONSTRUCTION

Outlet Body	Aluminum
Cylinder	Carbon Steel
Plunger	Carbon Steel
Upper Packing	
NM2202A-X1-731	Ryton Filled Teflon
NM2202A-X1-B31	UHMW-PE
NM2202A-X1-C31	UHMW-PE
NM2202A-X1-J31	Polyurethane
Lower Packing	
NM2202A-X1-731	Teflon
NM2202A-X1-B31	Teflon
NM2202A-X1-C31	UHMW-PE
NM2202A-X1-J31	UHMW-PE
Upper Ball	Chrome Steel
Upper Seat	Carbon Steel
Lower Ball	Chrome Steel
Inlet Body	Carbon Steel

PERFORMANCE

Air Inlet Pressure Range	0 - 150 p.s.i. (0 - 10.3 bar)
Fluid Pressure Range	0 - 351 p.s.i. (0 - 24.2 bar)
Maximum Rec'd Cycles / Minute	120
Maximum Working Flow Rate	4.3 g.p.m. (16.3 l.p.m.)
Displacement in.³ per Cycle	8.28
Volume / Cycle	4.59 oz. (135.6 ml)
Cycles Per Gallon	27.9
Flow @ 60 Cycles / Minute	2.15 gal. (8.14 lit.)
Noise Level @ 100 p.s.i.	80 db(A) ^①

① The pump sound pressure level has been updated to an Equivalent Continuous Sound Level (L_{Aeq}) to meet the intent of ANSI S1. 13-1971, CAGI-PNEUROPS S5.1 using four microphone locations.



PERFORMANCE CURVES

