

SALES & ENGINEERING DATA

RATIO SERIES: **50:1**

FLUID PSI RANGE: **0 – 7500**



LM2350E-() CHOP-CHECK GREASE PUMP

RELEASED: 4-10-97
REVISED: 2-27-98
S-885

DIMENSIONAL DATA

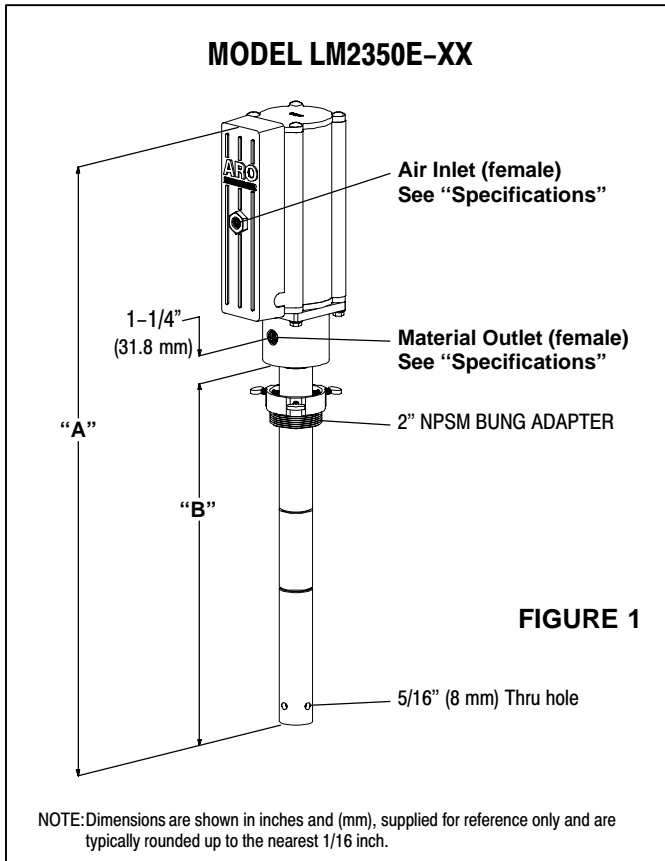


FIGURE 1

MODEL	"A" (mm)	"B" (mm)	WEIGHT (kg)
LM2350E-2X	27-3/8 (695)	16-1/4 (412.8)	18.0 (8.16)
LM2350E-3X	40-1/8 (1019)	29 (736.6)	22.72 (10.31)
LM2350E-4X	48-5/8 (1235)	37-1/2 (952.5)	25.76 (11.68)
LM2350E-6X	30-1/8 (765)	19 (482)	19.0 (8.62)

SPECIFICATIONS

CONSTRUCTION

Model Series LM2350E-XX
 Pump Type Air Operated, Chop-Check, Grease Pump
 Ratio 50:1
 Air Motor Diameter 3" (7.62 cm)
 Stroke 3" (7.62 cm)
 Material Outlet
 LM2350E-X1 3/8" – 18 N.P.T.F.-1 (f)
 LM2350E-X2 Rc 3/8 (3/8" – 19 B.S.P. Taper) (f)
 Air Inlet 1/4" – 18 N.P.T.F.-1 (f)
 Pump Rebuild Kit 637227

MATERIALS OF CONSTRUCTION

Outlet Body Steel
 Cylinder Aluminum
 Plunger Steel
 Upper Packing Polyurethane
 Lower Packing Buna
 Inlet Body Steel

PERFORMANCE

Air Inlet Pressure Range 0 – 150 PSI (0 – 10.3 bar)
 Fluid Pressure Range 0 – 7500 PSI (0 – 517 bar)
 Maximum Delivery / Minute ... 7.5 lbs (3.4 kg)
 Displacement In³ Per Cycle ... 0.875
 Cycles Per Lb. 30
 Noise Level @ 100 Psi 85 db(A)^①

① The pump sound pressure level has been updated to an Equivalent Continuous Sound Level (L_{Aeq}) to meet the intent of ANSI S1. 13-1971, CAGI-PNEUROP S5.1 using four microphone locations.

ACCESSORIES:

61113 Wall Mount Bracket
 66073-1 Air Line Connection Kit



INGERSOLL-RAND COMPANY
 ONE ARO CENTER • BRYAN, OHIO 43506-0151
 ☎ (419) 636-4242 • FAX (419) 633-1674 ©1998 • PRINTED IN U.S.A.

INGERSOLL-RAND
FLUID PRODUCTS

PERFORMANCE CURVES

