

# SALES & ENGINEERING DATA

RATIO SERIES: **50:1**

FLUID P.S.I. RANGE: **0 - 7500**

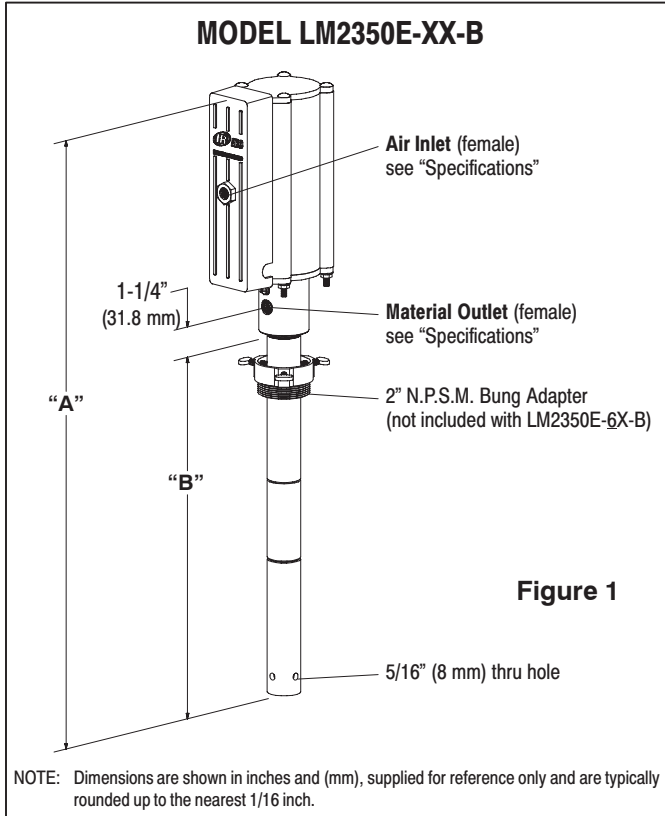


LM2350E-( )-B

CHOP-CHECK GREASE PUMP

RELEASED: 6-19-01  
 REVISED: 8-9-04  
 (REV. 04) S-1243

## DIMENSIONAL DATA



MODEL	"A" (mm)	"B" (mm)	WEIGHT (kg)
LM2350E-21-B	27-3/4" (704.2)	16-9/16" (420.6)	18.0 lbs (8.16)
LM2350E-22-B	27-3/4" (704.2)	16-9/16" (420.6)	18.0 lbs (8.16)
LM2350E-31-B	38-7/16" (975.7)	27-1/4" (692.1)	21.9 lbs (9.94)
LM2350E-32-B	40-1/2" (1028.1)	29-5/16" (744.5)	22.7 lbs (10.28)
LM2350E-41-B	48" (1218.6)	36-13/16" (935.0)	25.4 lbs (11.52)
LM2350E-42-B	49" (1244.0)	37-13/16" (960.4)	25.8 lbs (11.68)
LM2350E-61-B	30-1/2" (774.1)	19-5/16" (490.5)	19.0 lbs (8.62)
LM2350E-71-B	40-1/2" (1028.1)	29-5/16" (744.5)	22.7 lbs (10.28)
LM2350E-81-B	49" (1244.0)	37-13/16" (960.4)	25.8 lbs (11.68)

## SPECIFICATIONS

### CONSTRUCTION

Model Series	LM2350E-XX-B
Pump Type	Air Operated, Chop-Check, Grease Pump
Ratio	50:1
Air Motor Diameter	3" (7.62 cm)
Stroke	3" (7.62 cm)
Air Inlet (female)	
LM2350E-X1-B	1/4 - 18 N.P.T.F. - 1
LM2350E-X2-B	Rc 1/4 (1/4 - 19 B.S.P. Taper)
Material Outlet (female)	
LM2350E-X1-B	3/8 - 18 N.P.T.F. - 1
LM2350E-X2-B	Rc 3/8 (3/8 - 19 B.S.P. Taper)
Pump Rebuild Kit	637227-B

### MATERIALS OF CONSTRUCTION

Outlet Body	Carbon Steel
Cylinder	Carbon Steel
Plunger	Carbon Steel
Upper Packing	Polyurethane
Lower Packing	Nitrile
Inlet Body	Carbon Steel

### PERFORMANCE

Air Inlet Pressure Range	0 - 150 p.s.i. (0 - 10.3 bar)
Fluid Pressure Range	0 - 7500 p.s.i. (0 - 517.2 bar)
Cycles / Minute Rec'd @ Working Flow	135
Maximum Delivery / Minute	7.5 lbs (3.4 kg)
Displacement In <sup>3</sup> Per Cycle	0.875
Volume / Cycle	0.48 oz. (14.33 ml)
Cycles Per Lb.	30
Noise Level @ 100 p.s.i.	85 db(A) <sup>①</sup>

① The pump sound pressure level has been updated to an Equivalent Continuous Sound Level (L<sub>Aeq</sub>) to meet the intent of ANSI S1. 13-1971, CAGI-PNEUROPS 5.1 using four microphone locations.

### ACCESSORIES:

- 61113 Wall Mount Bracket
- 66073-1 Air Line Connection Kit

# PERFORMANCE CURVES

