

# SALES & ENGINEERING DATA



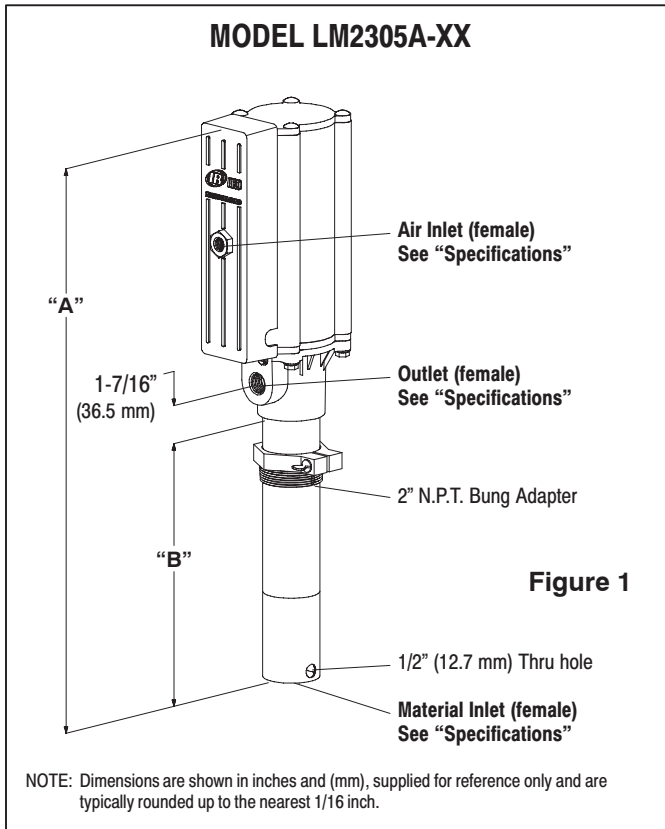
## LM2305A-( ) TWO - BALL PUMP

RATIO SERIES: **5:1**

FLUID P.S.I. RANGE: **0 - 750**

RELEASED: 4-1-97  
REVISED: 8-17-04  
(REV. 03) S-884

### DIMENSIONAL DATA



MODEL	"A" (mm)	"B" (mm)	WEIGHT (kg)
LM2305A-1X	21" (533.4)	9-3/4" (247.7)	15.75 (7.14)
LM2305A-3X	41-1/4" (1047.8)	30" (762)	24.3 (11.02)
LM2305A-4X	51" (1295.4)	39-3/4" (1009.7)	28.5 (12.93)
LM2305A-5X	58-5/8" (1489.1)	47-3/8" (1203.3)	31.7 (14.38)

### SPECIFICATIONS

#### CONSTRUCTION

Model Series	LM2305A-XX
Pump Type	Air Operated, Two-Ball, Double Acting Oil Pump
Ratio	5:1
Air Motor Diameter	3" (7.62 cm)
Stroke	3" (7.62 cm)
Material Inlet (female)	
LM2305A-X1	1-1/2 - 11-1/2 N.P.T.F.
LM2305A-X2	Rp 1-1/2 (1-1/2 - 11 B.S.P. Parallel)
Material Outlet (female)	
LM2305A-X1	1/2 - 14 N.P.T.F.
LM2305A-X2	Rp 1/2 (1/2 - 14 B.S.P. Parallel)
Air Inlet (female)	
LM2305A-X1	1/4 - 18 N.P.T.F. - 1
LM2305A-X2	Rp 1/4 (1/4 - 19 BSP Parallel)
Pump Rebuild Kit	637226

#### MATERIALS OF CONSTRUCTION

Outlet Body	#3 Zinc
Cylinder	Aluminum
Plunger	Steel
Upper Packing	Polyurethane
Lower Packing	Leather
Inlet Body	Steel

#### PERFORMANCE

Air Inlet Pressure Range	0 - 150 p.s.i. (0 - 10.3 bar)
Fluid Pressure Range	0 - 750 p.s.i. (0 - 51.7 bar)
Maximum Working Flow Rate	6 g.p.m. (22.7 l.p.m.)
Displacement / Cycle @ 100 p.s.i.	8.3 in. <sup>3</sup> (0.136 liters)
Cycles Per Gallon	28
Noise Level @ 100 p.s.i.	85 db(A) <sup>①</sup>

① The pump sound pressure level has been updated to an Equivalent Continuous Sound Level (L<sub>Aeq</sub>) to meet the intent of ANSI S1. 13-1971, CAGI-PNEUROP S5.1 using four microphone locations.

#### ACCESSORIES:

61113 Wall Mount Bracket  
66073-1 Air Line Connection Kit

# PERFORMANCE CURVES

