

SALES & ENGINEERING DATA

RATIO SERIES: **3:1**

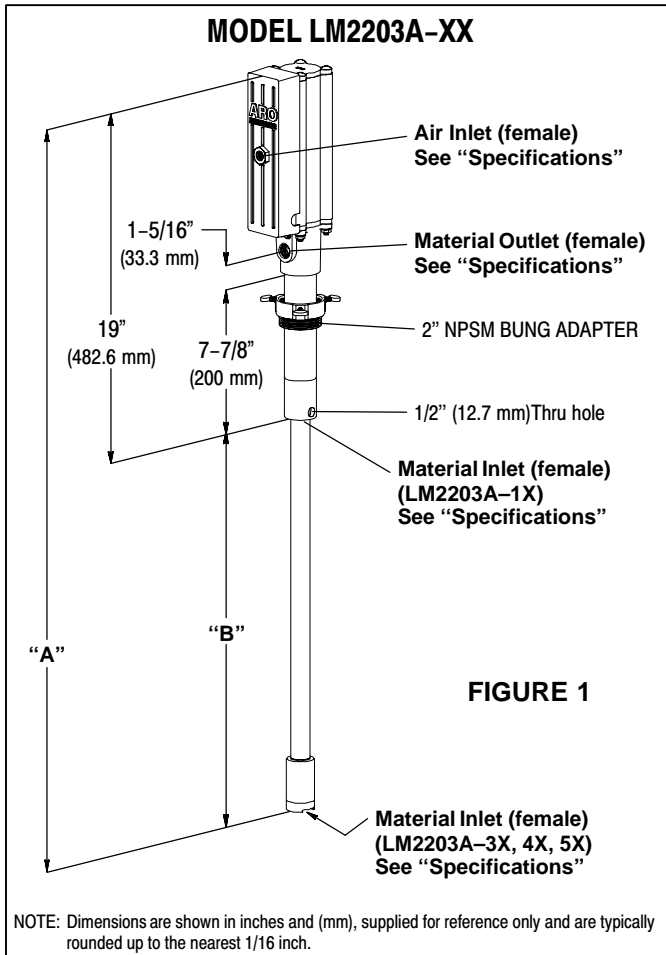
FLUID PSI RANGE: **0 – 375**



LM2203A-() TWO – BALL PUMP

RELEASED: 4-10-97
REVISED: 2-27-98
S-882

DIMENSIONAL DATA



MODEL	"A" (mm)	"B" (mm)	WEIGHT (kg)
LM2203A-1X	N / A	N / A	11 (4.99)
LM2203A-3X	40-5/8 (1031.8)	21-5/8 (549.3)	13.5 (6.12)
LM2203A-4X	50-3/8 (1279.6)	31-3/8 (796.9)	14.4 (6.53)
LM2203A-5X	58 (1473.2)	39 (990.6)	15 (6.80)

SPECIFICATIONS

CONSTRUCTION

Model Series	LM2203A-XX
Pump Type	Air Operated, Two-Ball, Double Acting Oil Pump
Ratio	3:1
Air Motor Diameter	2" (5.08 cm)
Stroke	3" (7.62 cm)
Material Inlet	
LM2203A-X1	3/4" – 14 N.P.T.
LM2203A-X2	Rp 3/4 (3/4)" – 14 B.S.P. Parallel
Material Outlet	
LM2203A-X1	1/2" – 14 N.P.T.
LM2203A-X2	Rp 1/2 (1/2)" – 14 B.S.P. Parallel
Air Inlet	1/4" – 18 N.P.T.F.-1 (f)
Pump Rebuild Kit	637224

MATERIALS OF CONSTRUCTION

Outlet Body	#3 Zinc
Cylinder	Aluminum
Plunger	Steel
Upper Packing	Polyurethane
Lower Packing	Buna "N"
Upper Ball	Steel
Upper Seat	Steel
Lower Ball	Steel
Lower Seat	Steel

PERFORMANCE

Air Inlet Pressure Range	0 – 125 PSI (0 – 8.6 bar)
Fluid Pressure Range	0 – 375 PSI (0 – 25.9 bar)
Max. Working Flow Rate	6 g.p.m. (23 l.p.m.)
Displacement In³ Per Cycle	6.2
Cycles Per Gallon	37
Noise Level @ 100 Psi	80 db(A) ^①

① The pump sound pressure level has been updated to an Equivalent Continuous Sound Level (L_{Aeq}) to meet the intent of ANSI S1. 13-1971, CAGI-PNEUROP S5.1 using four microphone locations.

ACCESSORIES:

- 61113 Wall Mount Bracket
- 66073-1 Air Line Connection Kit



INGERSOLL-RAND COMPANY
ONE ARO CENTER • BRYAN, OHIO 43506-0151
☎ (419) 636-4242 • FAX (419) 633-1674 ©1998 • PRINTED IN U.S.A.

INGERSOLL-RAND
FLUID PRODUCTS

PERFORMANCE CURVES

