

# SALES & ENGINEERING DATA

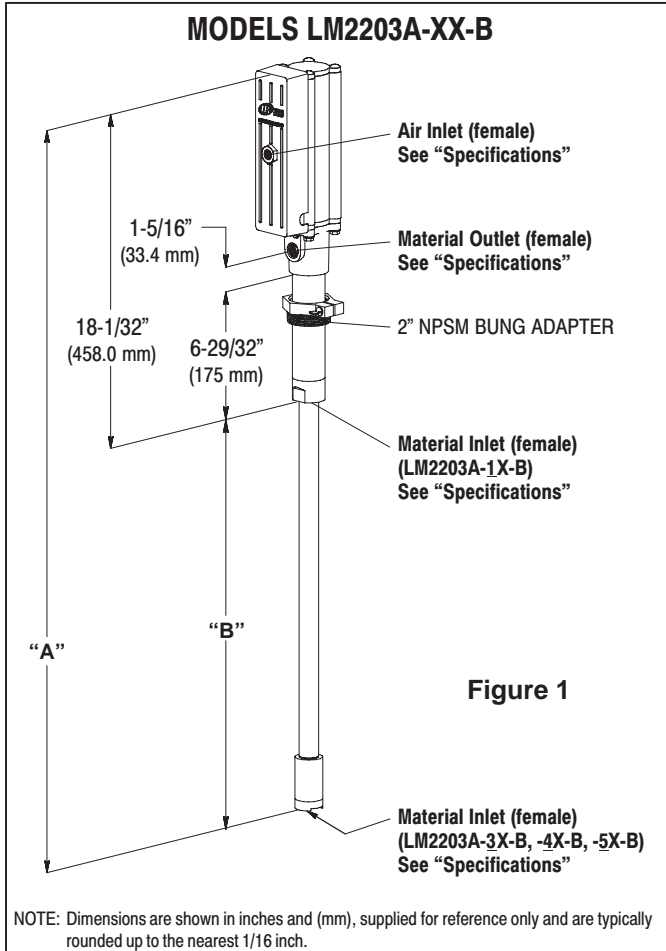
RATIO SERIES: **3:1**

FLUID P.S.I. RANGE: **0 - 450**

## LM2203A-( )-B TWO - BALL PUMP

RELEASED: 8-14-98  
REVISED: 9-30-04  
S-849 (REV. E)

### DIMENSIONAL DATA



MODEL	"A" (mm)	"B" (mm)	WEIGHT (kg)
LM2203A-1X-B	N / A	N / A	11 (4.99)
LM2203A-3X-B	40-1/16" (1017.3)	22-1/32" (559.3)	13.5 (6.12)
LM2203A-4X-B	49-13/16" (1265.0)	31-25/32" (806.9)	14.4 (6.53)
LM2203A-5X-B	57-7/16" (1458.6)	39-13/32" (1000.6)	15 (6.80)

### SPECIFICATIONS

#### CONSTRUCTION

Model Series	LM2203A-XX-B
Pump Type	Air Operated, Two-Ball, Double Acting Oil Pump
Ratio	3:1
Air Motor Diameter	2" (5.08 cm)
Stroke	3" (7.62 cm)
Air Inlet (female)	
LM2203A-X1-B	1/4 - 18 N.P.T.F. - 1
LM2203A-X2-B	Rc 1/4 (1/4 - 19 B.S.P. taper)
Material Inlet (female)	
LM2203A-X1-B	3/4 - 14 N.P.T.
LM2203A-X2-B	Rp 3/4 (3/4 - 14 B.S.P. Parallel)
Material Outlet (female)	
LM2203A-X1-B	1/2 - 14 N.P.T.
LM2203A-X2-B	Rp 1/2 (1/2 - 14 B.S.P. Parallel)
Pump Rebuild Kit	637224

#### MATERIALS OF CONSTRUCTION

Outlet Body	#3 Zinc
Cylinder	Aluminum
Plunger	Steel
Upper Packing	Polyurethane
Lower Packing	Nitrile
Upper Ball	Steel
Upper Seat	Steel
Lower Ball	Steel
Lower Seat	Steel

#### PERFORMANCE

Air Inlet Pressure Range	0 - 150 p.s.i. (0 - 10.3 bar)
Fluid Pressure Range	0 - 450 p.s.i. (0 - 31.0 bar)
Maximum Working Flow Rate	6 g.p.m. (23 l.p.m.)
Displacement In <sup>3</sup> Per Cycle	6.2
Cycles Per Gallon (Liter)	37 (9.8)
Noise Level @ 100 p.s.i.	80 db(A) <sup>①</sup>

<sup>①</sup> The pump sound pressure level has been updated to an Equivalent Continuous Sound Level (L<sub>Aeq</sub>) to meet the intent of ANSI S1.13-1971, CAGI-PNEUROPS S5.1 using four microphone locations.

#### ACCESSORIES:

61113 Wall Mount Bracket  
66073-1 Air Line Connection Kit

# PERFORMANCE CURVES

