

# SALES & ENGINEERING DATA

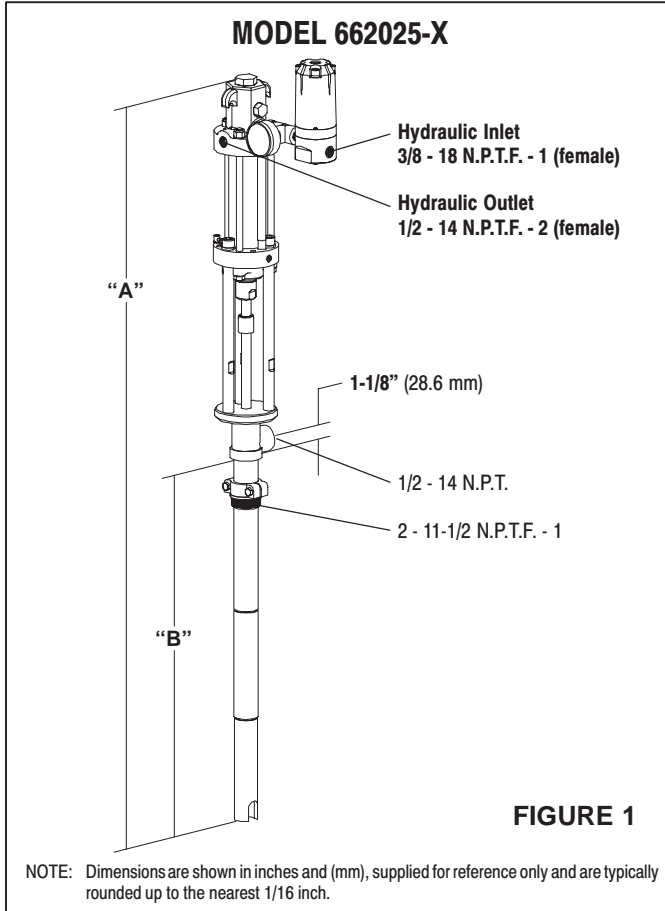
RATIO SERIES: **7.8:1**

FLUID P.S.I. RANGE: **0 - 7500**

## 662025-X CHOP-CHECK GREASE PUMP

RELEASED: 9-11-01  
REVISED: S-1231

### DIMENSIONAL DATA



MODEL	“A” (mm)	“B” (mm)	WEIGHT (kg)
662025-1	66-1/4" (1682.7)	36-1/2" (925.9)	53.03 (24.05)
662025-2	58-1/8" (1476.3)	28-3/8" (719.6)	51.17 (23.21)

### SPECIFICATIONS

#### CONSTRUCTION

Model Series	662025-X
Pump Type	Hydraulically Operated, Chop-Check Grease Pump
Ratio	7.8:1
Hydraulic Motor	67271
Motor Repair Kit	637315
Motor Diameter	2.062 sq." (13.3 sq. cm)
Stroke	4" (10.2 cm)
Hydraulic Inlet (female)	3/8 - 18 N.P.T.F. - 1
Hydraulic Return (female)	1/2 - 14 N.P.T.F. - 2
Lower Pump Repair Kit	637365
Material Inlet	immersed
Material Outlet (female)	1/2 - 14 N.P.T.

#### MATERIALS OF CONSTRUCTION

Outlet Body	Ductile Iron
Cylinder	Carbon Steel
Plunger	Carbon Steel
Upper Packing	Polyurethane
Lower Packing	Glass Filled Teflon
Inlet Body	Carbon Steel

#### PERFORMANCE

Hydraulic Inlet Pressure Range	65 - 961.5 p.s.i. (4.5 - 66.3 bar)
Fluid Pressure Range	507 - 7500 p.s.i. (35.0 - 517.2 bar)
Maximum Rec'd Cycles / Minute	50
Displacement In <sup>3</sup> Per Cycle	2.13
Volume / Cycle	1.18 oz. (34.89 ml)
Cycles Per Lb	14.4
Maximum Delivery / Minute	9.6 lbs (4.4 kg)
Noise Level	N/A
Maximum Temperature Limit	130° F (54° C)

# PERFORMANCE CURVES

