

# SALES & ENGINEERING DATA

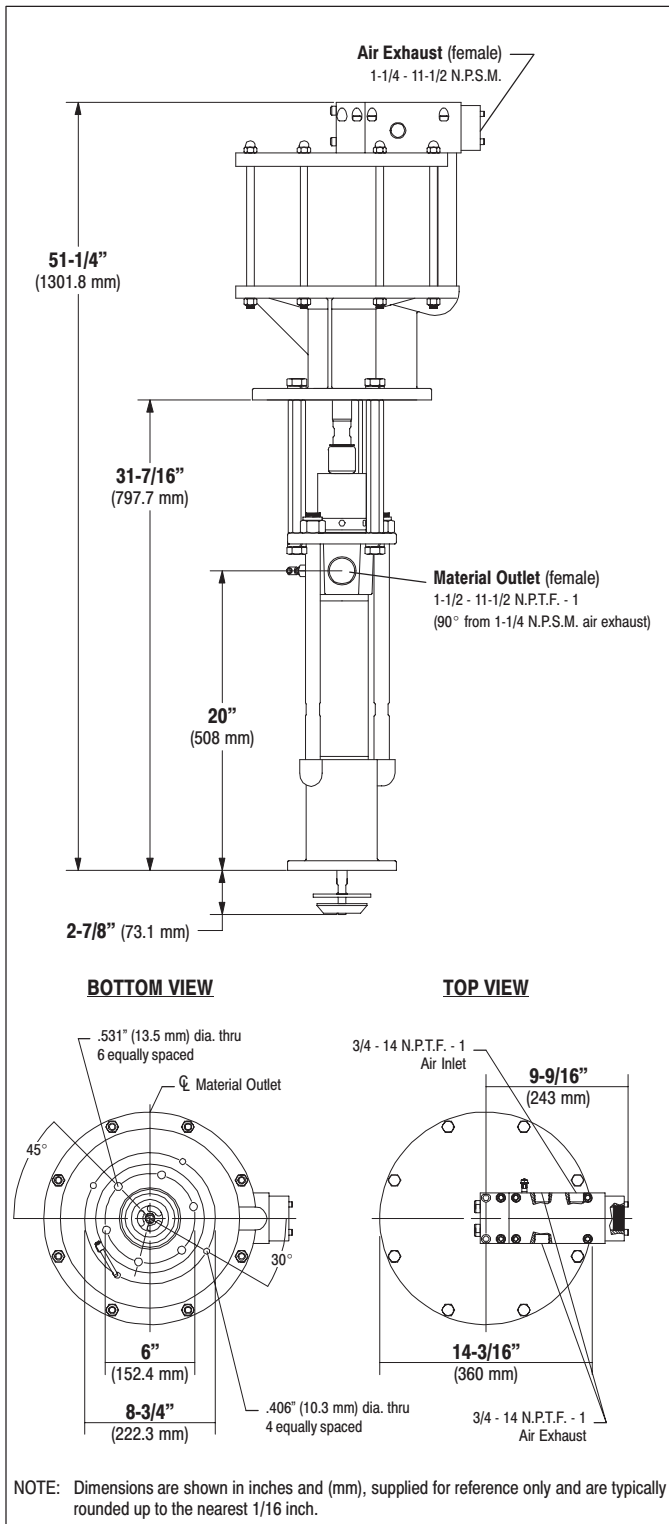
RATIO SERIES: **30:1**

FLUID P.S.I. RANGE: **900 - 3250**

## 650971-XXE-C EXTRUSION PUMP

RELEASED: 9-20-01  
REVISED: S-1028

### DIMENSIONAL DATA



### SPECIFICATIONS

#### CONSTRUCTION

<b>Model Series</b> (refer to option chart)	650971-XXE-C
<b>Pump Type</b>	Air Operated, Extrusion, Double Acting Pump
<b>Ratio</b>	30:1
<b>Air Motor</b>	66506-B
<b>Motor Repair Kit</b>	637112
<b>Motor Diameter</b>	12" (304.8 mm)
<b>Stroke</b>	6" (152.4 mm)
<b>Air Inlet (female)</b>	3/4 - 14 N.P.T.F. - 1
<b>Air Exhaust (female)</b>	1-1/4 - 11-1/2 N.P.S.M.
<b>Lower Pump End Series</b>	66236-XXE-B
<b>Lower Pump Repair Kit</b>	637128-XX4-B
<b>Packing Options:</b>	

3 - Glass Filled Teflon
C - UHMW-PE
F - UHMW-PE / Leather staggered upper • UHMW-PE lower
J - Polyurethane upper • UHMW-PE lower
P - UHMW-PE / Glass Filled Teflon staggered upper • UHMW-PE lower
R - Glass Filled Teflon / UHMW-PE staggered upper • Glass Filled Teflon lower

**Material Outlet (female)** 1-1/2 - 11-1/2 N.P.T.F. - 1

#### MATERIALS OF CONSTRUCTION

<b>Outlet Body</b>	Ductile Iron, Nickel plated
<b>Cylinder</b>	Carbon Steel, Nickel plated
<b>Plunger</b>	Carbon Steel, Chrome plated
<b>Upper Check</b>	440 Stainless Steel
<b>Upper Seat</b>	440 Stainless Steel
<b>Lower Check</b>	440 Stainless Steel
<b>Lower Seat</b>	440 Stainless Steel
<b>Inlet Body</b>	Ductile Iron, Nickel plated
<b>Weight</b>	140 lbs (63.5 kgs)

#### PERFORMANCE

<b>Air Inlet Pressure Range</b>	30 - 90 p.s.i. (2.1 - 6.2 bar)
<b>Fluid Pressure Range</b>	900 - 3250 p.s.i. (62.1 - 224.1 bar)
<b>Maximum Rec'd Cycles / Minute</b>	70
<b>Displacement In<sup>3</sup> Per Cycle</b>	40.4
<b>Volume / Cycle</b>	22.4 oz. (661.8 ml)
<b>Cycles Per Gallon</b>	5.7
<b>Flow @ 70 Cycles / Minute</b>	12.2 g.p.m. (46.3 l.p.m.)
<b>Noise Level @ 60 p.s.i. - 40 c.p.m.</b>	89.8 db(A) <sup>①</sup>

<sup>①</sup> Tested with 66718 Muffler installed. The pump sound pressure level has been updated to an Equivalent Continuous Sound Level (L<sub>Aeq</sub>) to meet the intent of ANSI S1.13-1971, CAGI-PNEUROP S5.1 using four microphone locations.

#### ACCESSORIES:

- 66542 Wall Mount Bracket
- 65139 Floor Mount
- 66718 Silencer



## PERFORMANCE CURVES

