

# SALES & ENGINEERING DATA

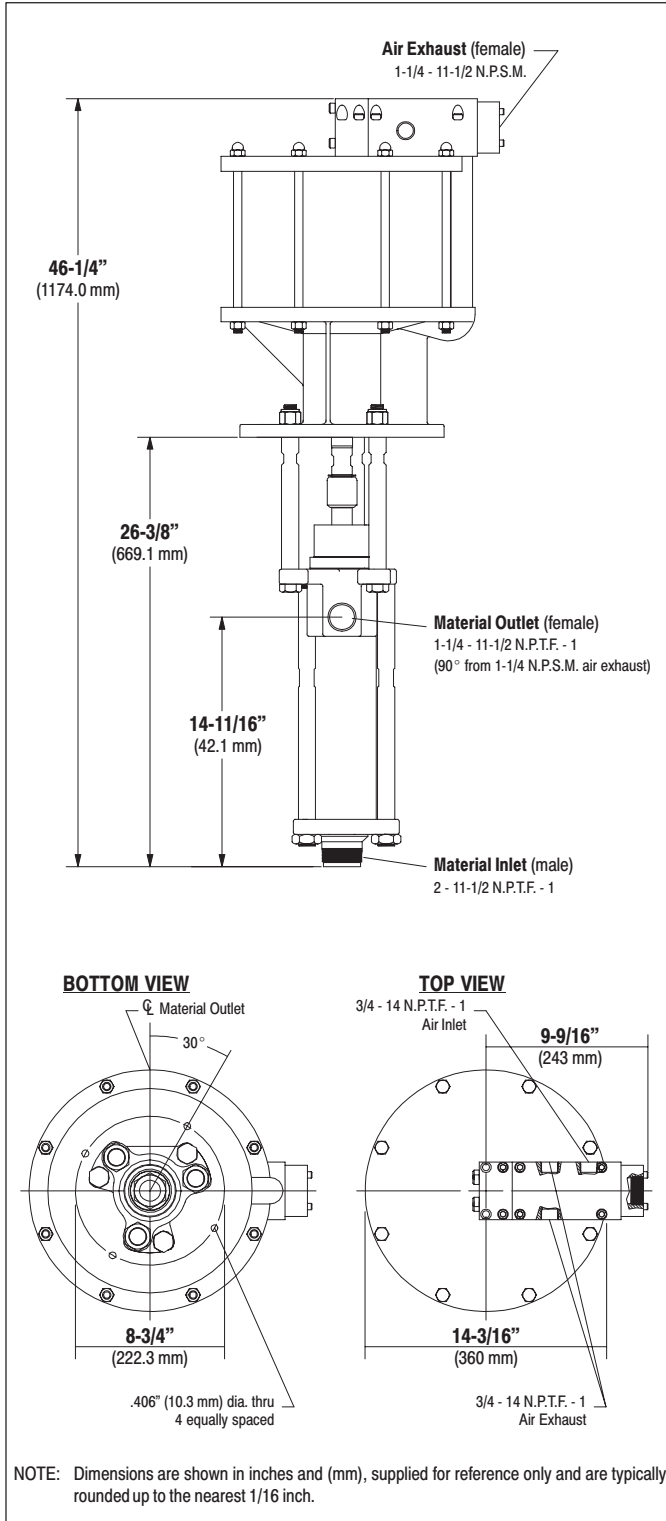
RATIO SERIES: **23:1**

FLUID P.S.I. RANGE: **0 - 2070**

## 650967-XXD-B TWO-BALL PUMP

RELEASED: 9-19-01  
REVISED: 7-26-02  
S-1027

### DIMENSIONAL DATA



### SPECIFICATIONS

#### CONSTRUCTION

<b>Model Series</b> (refer to option chart)	650967-XXD-B
<b>Pump Type</b>	Air Operated, Two-Ball, Double Acting Pump
<b>Ratio</b>	23:1
<b>Air Motor</b>	66506-B
<b>Motor Repair Kit</b>	637112
<b>Motor Diameter</b>	12" (304.8 mm)
<b>Stroke</b>	6" (152.4 mm)
<b>Air Inlet (female)</b>	3/4 - 14 N.P.T.F. - 1
<b>Air Exhaust (female)</b>	1-1/4 - 11-1/2 N.P.S.M.
<b>Lower Pump End Series</b>	66941-XXD
<b>Lower Pump Repair Kit</b>	637211-X63
<b>Packing Options:</b>	

C - UHMW-PE
K - Carbon-Graphite filled Teflon
L - Mineral filled Teflon
P - UHMW-PE / Teflon staggered upper • UHMW-PE lower
R - Teflon / UHMW-PE staggered upper • Mineral filled Teflon lower

<b>Material Inlet (male)</b>	2 - 11-1/2 N.P.T.F. - 1
<b>Material Outlet (female)</b>	1-1/4 - 11-1/2 N.P.T.F. - 1

#### MATERIALS OF CONSTRUCTION

<b>Outlet Body</b>	CF-8M Stainless Steel (316)
<b>Cylinder</b>	15-5 Stainless Steel, Chrome plated
<b>Plunger</b>	15-5 Stainless Steel, Chrome plated
<b>Upper Ball</b>	440 Stainless Steel
<b>Upper Seat</b>	650967-X6D-B ... 440 Stainless Steel
	650967-XDD-B ... Tungsten Carbide
<b>Lower Ball</b>	440 Stainless Steel
<b>Lower Seat</b>	650967-X6D-B ... 440 Stainless Steel
	650967-XDD-B ... Tungsten Carbide
<b>Inlet Body</b>	CF-8M Stainless Steel (316)
<b>Weight</b>	140 lbs (63.5 kg)

#### PERFORMANCE

<b>Air Inlet Pressure Range</b>	30 - 90 p.s.i. (2.1 - 6.2 bar)
<b>Fluid Pressure Range</b>	690 - 2070 p.s.i. (47.6 - 142.8 bar)
<b>Maximum Rec'd Cycles / Minute</b>	70
<b>Displacement In<sup>3</sup> Per Cycle</b>	59.8
<b>Volume / Cycle</b>	33.1 oz. (979.6 ml)
<b>Cycles Per Gallon</b>	3.9
<b>Flow @ 70 Cycles / Minute</b>	18.1 g.p.m. (68.6 l.p.m.)
<b>Noise Level @ 60 p.s.i. - 40 c.p.m.</b>	89.8 db(A)①

① Tested with 66718 Muffler installed. The pump sound pressure level has been updated to an Equivalent Continuous Sound Level (L<sub>Aeq</sub>) to meet the intent of ANSI S1.13-1971, CAGI-PNEUROPS S5.1 using four microphone locations.

#### ACCESSORIES:

- 65139 Floor Mount
- 66542 Wall Mount Bracket
- 66718 Silencer



## PERFORMANCE CURVES

