

SALES & ENGINEERING DATA

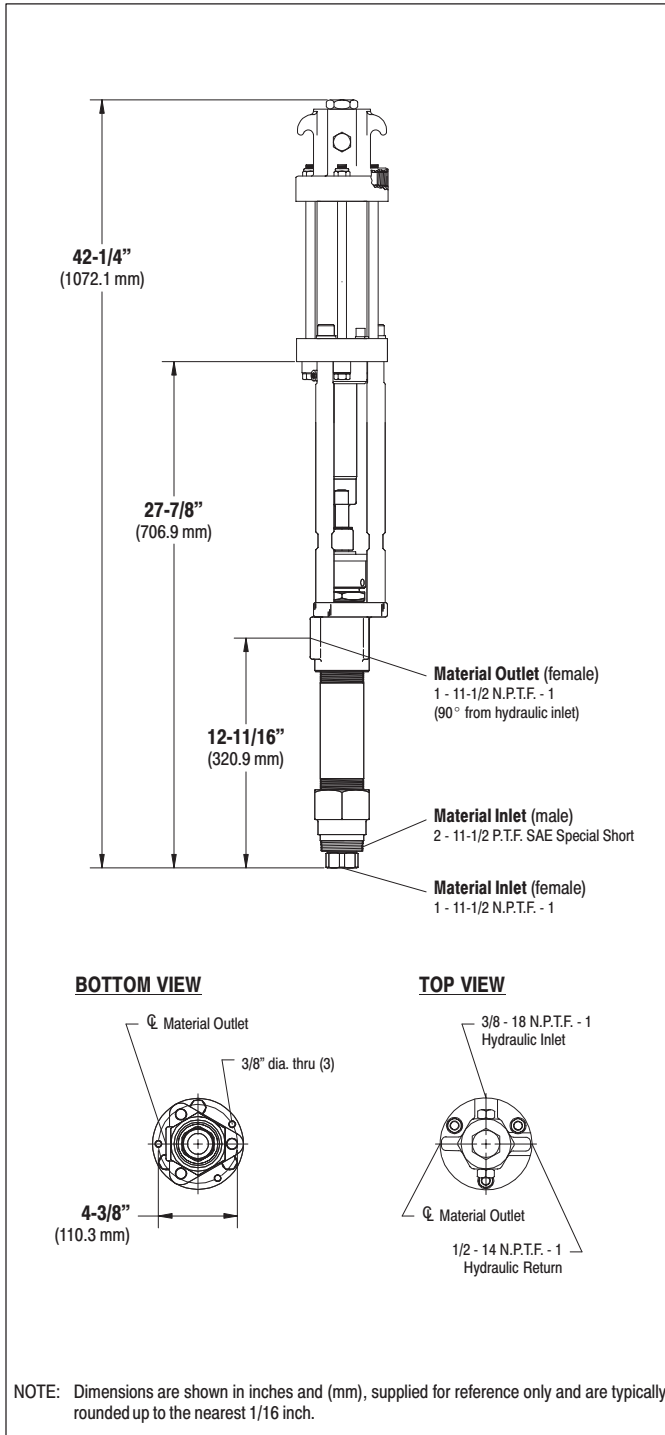
RATIO SERIES: **3.3:1**

650944-XXX-B TWO - BALL PUMP

FLUID P.S.I. RANGE: **165 - 3960**

RELEASED: 9-20-01
REVISED: 7-30-02
S-1248

DIMENSIONAL DATA



SPECIFICATIONS

CONSTRUCTION

Model Series (refer to option chart)	650944-XXX-B
Pump Type	Hydraulically Operated, Two-Ball, Double Acting Pump
Ratio	3.3:1
Hydraulic Motor	67147
Motor Repair Kit	637315
Motor Size	2.062 sq." (13.3 sq. cm)
Stroke	6" (15.2 cm)
Hydraulic Inlet (female)	3/8 - 18 N.P.T.F. - 1
Hydraulic Return (female)	1/2 - 14 N.P.T.F. - 1
Lower Pump End Series	66301-XXX
Lower Pump Repair Kit	637306-X43
Packing Options:	

3 -	Glass filled Teflon
C -	UHMW-PE
G -	UHMW-PE / Leather staggered
P -	UHMW-PE / Glass filled Teflon staggered upper • UHMW-PE lower
R -	Glass filled Teflon / UHMW-PE staggered upper • Glass filled Teflon lower

Material Inlet (female)	1 - 11-1/2 N.P.T.F. - 1
(male)	2 - 11-1/2 P.T.F. SAE spec. short
Material Outlet (female)	1 - 11-1/2 N.P.T.F. - 1

MATERIALS OF CONSTRUCTION

Outlet Body	CF-8M Stainless Steel
Cylinder (650944-XX3-B)	316 SS, Hard Chrome
(650944-XXB-B)	316 SS, Ceramic coated
Plunger (650944-XX3-B)	17-4 SS, Hard Chrome
(650944-XXB-B)	17-4 SS, Ceramic coated
Upper Ball	Tungsten Carbide
Upper Seat	Tungsten Carbide
Lower Ball (650944-X4X-B)	316 Stainless Steel
(650944-X7X-B)	440 Stainless Steel
Lower Seat	Tungsten Carbide
Inlet Body	CF-8M Stainless Steel
Weight	41.3 lbs (18.7 kgs)

PERFORMANCE

Hydraulic Inlet Pressure Range	50 - 1200 p.s.i. (3.4 - 82.8 bar)
Fluid Pressure Range	165 - 3960 p.s.i. (11.4 - 273.1 bar)
Required H-power @ 50 c.p.m.	3.2 @ 1200 p.s.i. (82.8 bar)
Hydraulic flow required @ 50 c.p.m.	4.9 g.p.m. (18.5 l.p.m.)
Maximum rec'd Cycles / Minute	50
Displacement In³ Per Cycle	7.434
Volume / Cycle	4.1 oz. (121.8 ml)
Cycles Per Gallon	31.1
Flow @ 50 Cycles / Minute	1.6 g.p.m. (6.1 l.p.m.)
Noise Level	N / A
Maximum Temperature Limit	130° F (54° C)

ACCESSORIES:

67069 Wall Mount Bracket



PERFORMANCE CURVES

