

SALES & ENGINEERING DATA

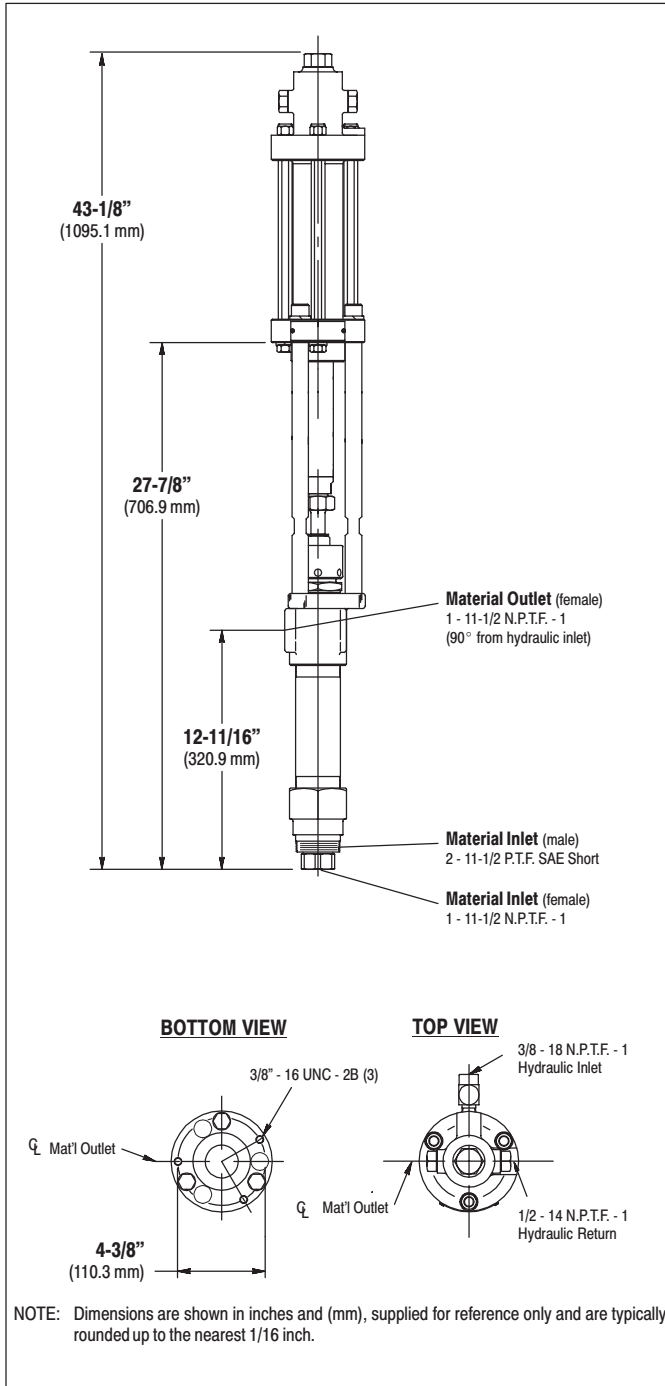
RATIO SERIES: **1.7:1**

FLUID P.S.I. RANGE: **85 - 2054**

650943-X4X TWO-BALL PUMP SERIES

RELEASED: 12-12-95
REVISED: 7-31-02
S-840

DIMENSIONAL DATA



SPECIFICATIONS

CONSTRUCTION

Model Series (refer to option chart below)	650943-X4X
Type	Hydraulically Operated, Two-Ball
Ratio	1.7:1
Hydraulic Motor	61588-100
Motor Repair Kit	637164
Motor Size	2.062 sq." (13.3 sq. cm)
Stroke	6" (15.2 cm)
Hydraulic Inlet (female)	3/8 - 18 N.P.T.F. - 1
Hydraulic Return (female)	1/2 - 14 N.P.T.F. - 1
Lower Pump End Series	66300-X4X
Lower Pump Repair Kit	637305-X43

Packing Options:

3	- Glass filled Teflon
C	- UHMW-PE
G	- UHMW-PE / Leather staggered
P	- UHMW-PE / Glass filled Teflon staggered upper • UHMW-PE lower
R	- Glass filled Teflon / UHMW-PE staggered upper • Glass filled Teflon lower

Material Inlet (female)	1 - 11-1/2 N.P.T.F. - 1
(male)	2 - 11-1/2 P.T.F. SAE Short
Material Outlet (female)	1 - 11-1/2 N.P.T.F. - 1

MATERIALS OF CONSTRUCTION

Lower Pump End Materials^①	
Outlet Body	CF-8M Stainless Steel
Cylinder (650943-XX3)	316 S.Stl Hard Chrome
(650943-XXB)	316 S.Stl Ceramic coated
Plunger (650943-XX3)	17-4 S.Stl Hard Chrome
(650943-XXB)	17-4 S.Stl Ceramic coated
Upper Ball	316 Stainless Steel
Upper Seat	Tungsten Carbide
Lower Ball	316 Stainless Steel
Lower Seat	Tungsten Carbide
Inlet Body	CF-8M Stainless Steel
Weight	41.3 lbs (18.7 kgs)

PERFORMANCE

Hydraulic Inlet Pressure Range	50 - 1200 p.s.i. (3.4 - 82.8 bar)
Fluid Pressure Range	85 - 2054 p.s.i. (5.9 - 141.7 bar)
Required H-power @ 50 c.p.m.	3.2 @ 1200 p.s.i. (82.8 bar)
Hydraulic flow required @ 50 c.p.m.	4.9 g.p.m. (18.5 l.p.m.)
Maximum rec'd Cycles / Minute	50
Displacement In³ Per Cycle	14.531
Volume / Cycle	8.05 oz. (238.0 ml)
Cycles Per Gallon	15.9
Flow @ 50 Cycles / Minute	3.1 g.p.m. (11.9 l.p.m.)
Noise Level	N/A
Maximum Temperature Limit	130° F (54° C)

ACCESSORIES:
67069 Wall Mount Bracket

Notes:

① All wetted components are passivated or electro-polished and have corrosion resistance characteristics of 300 Series Stainless Steel.



PERFORMANCE CURVES

TWO BALL PUMP, 2.062 SQ." HYDRAULIC MOTOR, 6" STROKE, 1.7:1 RATIO

