

SALES & ENGINEERING DATA

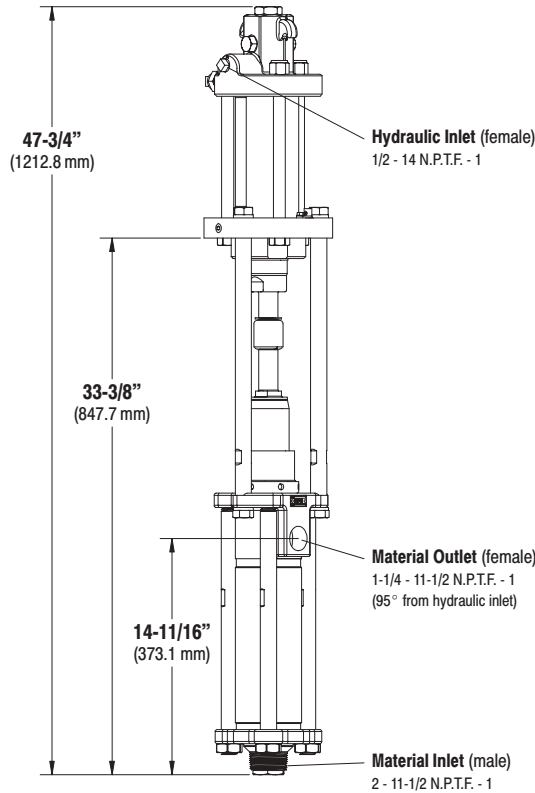
RATIO SERIES: **0.8:1**

FLUID P.S.I. RANGE: **40 - 1600**

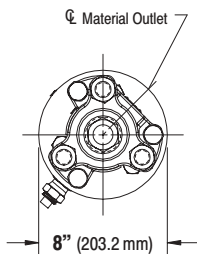
650940-XXD-B TWO - BALL PUMP

RELEASED: 9-21-01
REVISED: 12-5-02
S-1024

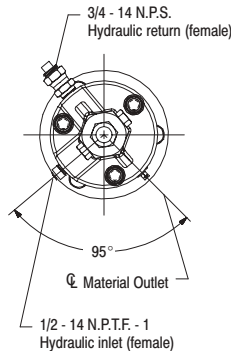
DIMENSIONAL DATA



BOTTOM VIEW



TOP VIEW



NOTE: Dimensions are shown in inches and (mm), supplied for reference only and are typically rounded up to the nearest 1/16 inch.

SPECIFICATIONS

CONSTRUCTION

Model Series (refer to option chart)	650940-XXD-B
Pump Type	Hydraulic Operated, Two Ball, Double Acting Pump
Ratio	0.8:1
Hydraulic Motor	67314
Motor Repair Kit	637382
Motor Size	4.125 sq." (26.6 sq. cm)
Stroke	6" (15.2 cm)
Hydraulic Inlet (female)	1/2 - 14 N.P.T.F. - 1
Hydraulic Return (female)	3/4 - 14 N.P.S.
Lower Pump End Series	66941-XXD
Lower Pump Repair Kit	637211-X63
Packing Options:	

C - UHMW-PE
K - Carbon Graphite filled Teflon with Nitrile Energizer
L - Mineral filled Teflon
P - UHMW-PE / Mineral filled Teflon staggered upper • UHMW-PE lower
R - Mineral filled Teflon / UHMW-PE staggered upper • Mineral filled Teflon lower

Material Inlet (male)	2 - 11-1/2 N.P.T.F. - 1
Material Outlet (female)	1-1/4 - 11-1/2 N.P.T.F. - 1

MATERIALS OF CONSTRUCTION

Outlet Body	CF-8M Stainless Steel (316)
Cylinder	15-5 Stainless Steel, Chrome plated
Plunger	15-5 Stainless Steel, Chrome plated
Upper Ball	440 Stainless Steel
Upper Seat	650940-X6D-B .. 440 Stainless Steel 650940-XDD-B .. Tungsten Carbide
Lower Ball	440 Stainless Steel
Lower Seat	650940-X6D-B .. 440 Stainless Steel 650940-XDD-B .. Tungsten Carbide
Inlet Body	CF-8M Stainless Steel (316)
Weight	140 lbs (63.5 kgs)

PERFORMANCE

Hydraulic Inlet Pressure Range	50 - 2000 p.s.i. (3.4 - 137.9 bar)
Fluid Pressure Range	40 - 1600 p.s.i. (4.1 - 110.3 bar)
Required H-power @ 50 c.p.m.	3.2 @ 1200 (82.8 bar)
Hydraulic flow req'd @ 50 c.p.m.	8.7 g.p.m. (32.9 l.p.m.)
Maximum Rec'd Cycles / Minute	50
Displacement In ³ Per Cycle	59.6
Volume / Cycle	33.0 oz. (976.4 ml)
Cycles Per Gallon	3.9
Flow @ 50 Cycles / Minute	12.9 g.p.m. (48.8 l.p.m.)
Noise Level	N / A
Maximum Temperature Limit	130° F (54° C)

ACCESSORIES:

62151 Wall Mount Bracket
65138 Floor Mount
67136 Floor / Follower Adapter



PERFORMANCE CURVES

