

# SALES & ENGINEERING DATA

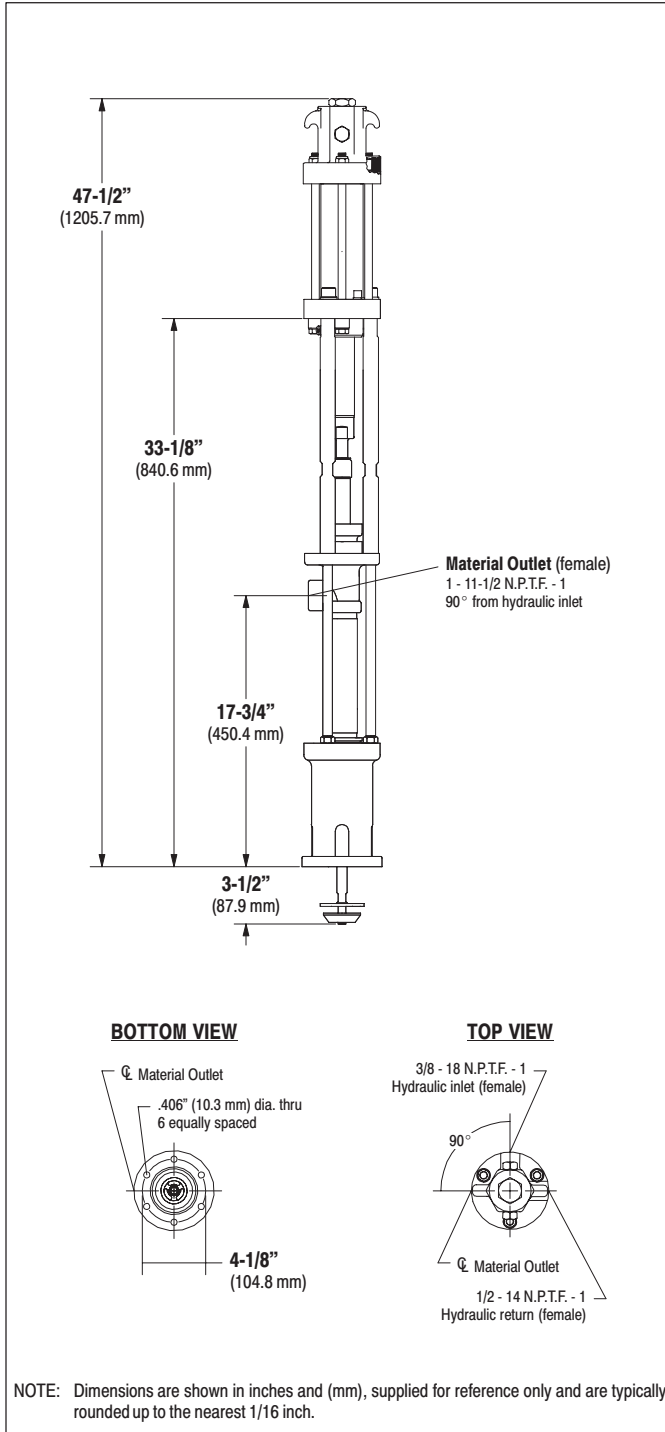
RATIO SERIES: **3.6:1**

FLUID P.S.I. RANGE: **180 - 4320**

## 650935-X43-C EXTRUSION PUMP

RELEASED: 9-24-01  
REVISED: 7-30-02  
S-1072

### DIMENSIONAL DATA



### SPECIFICATIONS

#### CONSTRUCTION

<b>Model Series</b> (refer to option chart)	650935-X43-C
<b>Pump Type</b>	Hydraulically Operated, Extrusion, Double Acting Pump
<b>Ratio</b>	3.6:1
<b>Hydraulic Motor</b>	67147
<b>Motor Repair Kit</b>	637315
<b>Motor Size</b>	2.062 sq." (13.3 sq. cm)
<b>Stroke</b>	6" (15.2 cm)
<b>Hydraulic Inlet (female)</b>	3/8 - 18 N.P.T.F. - 1
<b>Hydraulic Return (female)</b>	1/2 - 14 N.P.T.F. - 1
<b>Lower Pump End Series</b>	66266-X43-B
<b>Lower Pump Repair Kit</b>	637074-X43-B
<b>Packing Options:</b>	

3 - Glass filled Teflon
C - UHMW-PE
G - UHMW-PE / Leather staggered
P - UHMW-PE / Glass filled Teflon staggered upper • UHMW-PE lower
R - Glass filled Teflon / UHMW-PE staggered upper • Glass filled Teflon lower

**Material Outlet (female)** . . . . . 1 - 11-1/2 N.P.T.F. - 1

#### MATERIALS OF CONSTRUCTION

<b>Outlet Body</b>	Ductile Iron, Nickel plated
<b>Cylinder</b>	Carbon Steel, Nickel plated
<b>Plunger</b>	17-4 SS, Chrome plated
<b>Upper Check</b>	440 Stainless Steel
<b>Upper Seat</b>	440 Stainless Steel
<b>Lower Check</b>	440 Stainless Steel
<b>Lower Seat</b>	440 Stainless Steel
<b>Inlet Body</b>	Ductile Iron, Nickel plated
<b>Weight</b>	62.1 lbs (28.2 kgs)

#### PERFORMANCE

<b>Hydraulic Inlet Pressure Range</b>	50 - 1200 p.s.i. (3.4 - 82.8 bar)
<b>Fluid Pressure Range</b>	180 - 4320 p.s.i. (12.4 - 297.9 bar)
<b>Required H-power @ 50 c.p.m.</b>	3.2 @ 1200 p.s.i. (82.8 bar)
<b>Hydraulic flow required @ 50 c.p.m.</b>	4.9 g.p.m. (18.5 l.p.m.)
<b>Maximum rec'd Cycles / Minute</b>	50
<b>Displacement In<sup>3</sup> Per Cycle</b>	6.959
<b>Volume / Cycle</b>	3.9 oz. (114.0 ml)
<b>Cycles Per Gallon</b>	33.2
<b>Flow @ 50 Cycles / Minute</b>	1.5 g.p.m. (5.7 l.p.m.)
<b>Noise Level</b>	N / A
<b>Maximum Temperature Limit</b>	130° F (54° C)

#### ACCESSORIES:

- 61937-1 Wall Bracket
- 65138 Floor Mounting Flange



# PERFORMANCE CURVES

