

SALES & ENGINEERING DATA

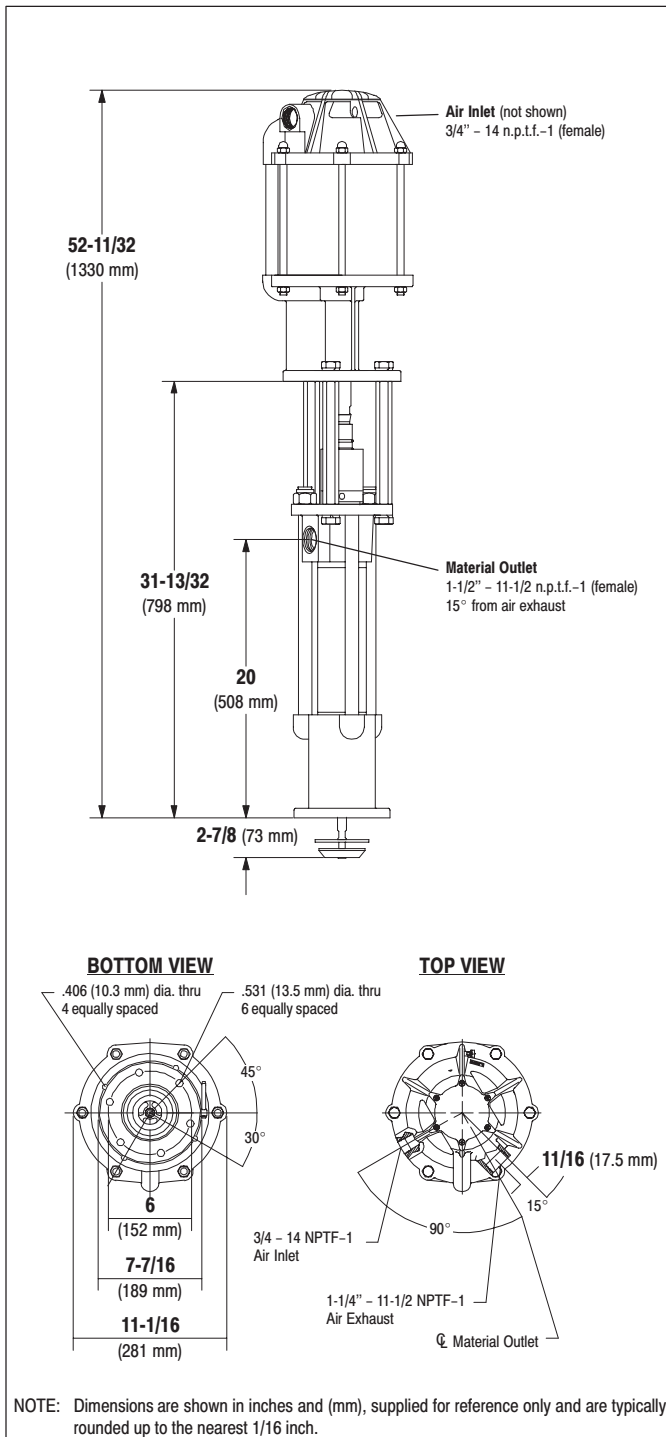
RATIO SERIES: **13:1**

FLUID PSI RANGE: **0 – 1900**

650871-XX4-B EXTRUSION PUMP

RELEASED: 1-29-99
REVISED: S-975

DIMENSIONAL DATA



SPECIFICATIONS

CONSTRUCTION

Model Series (refer to option chart) 650871-XX4-B
Pump Type Air Operated, Extrusion, Double Acting Pump
Ratio 13:1
Air Motor 66523
Motor Repair Kit 66614
Motor Diameter 8" (203.2 mm)
Stroke 6" (152.4 mm)
Air Inlet 3/4 - 14 n.p.t.f.-1 (female)
Air Exhaust 1-1/4 - 11-1/2 n.p.t.f.-1 (female)
Lower Pump End Series ... 66236-XX4-B
Lower Pump Repair Kit . 637128-XX4-B
Packing Options:

- 3 - Glass Filled Teflon
- C - UHMW-PE
- F - UHMW-PE / Leather staggered upper • UHMW-PE lower
- J - Polyurethane upper • UHMW-PE lower
- P - UHMW-PE / Glass Filled Teflon staggered upper • UHMW-PE lower
- R - Glass Filled Teflon / UHMW-PE staggered upper • Glass Filled Teflon lower

Material Outlet 1-1/2 - 11-1/2 n.p.t.f.-1 (female)

MATERIALS OF CONSTRUCTION

Outlet Body Ductile Iron, E Nickel plated
Cylinder Carbon Steel, Nickel plated
Plunger Carbon Steel, Chrome plated
Upper Check 440 Stainless Steel
Upper Seat 440 Stainless Steel
Lower Check 440 Stainless Steel
Lower Seat 440 Stainless Steel
Inlet Body Ductile Iron, Nickel plated
Weight 125.5 lbs (56.9 kgs)

PERFORMANCE

Air Inlet Pressure Range 0 - 120 p.s.i. (0 - 8.3 bar)
Fluid Pressure Range 0 - 1900 p.s.i. (0 - 131.0 bar)
Max. Rec'd Cycles / Minute ... 60
Displacement In³ Per Cycle ... 40.5
Volume / Cycle 22.5 oz. (663.9 ml)
Cycles Per Gallon 5.7
Flow @ 60 Cycles / Minute ... 10.5 g.p.m. (39.8 l.p.m.)
Noise Level @ 60 p.s.i. - 40 c.p.m. 88.0 db(A)^①

^① Tested with 92460 Muffler installed. The pump sound pressure level has been updated to an Equivalent Continuous Sound Level (L_{Aeq}) to meet the intent of ANSI S1. 13-1971, CAGI-PNEUROP S5.1 using four microphone locations.

ACCESSORIES:

66542 Wall Mount Bracket
 67187-1 Mounting Post
 92460 Silencer



INGERSOLL-RAND COMPANY
 ONE ARO CENTER • BRYAN, OHIO 43506-0151
 ☎ (419) 636-4242 • FAX (419) 633-1674

©1999 • PRINTED IN U.S.A.

INGERSOLL-RAND
FLUID PRODUCTS

PERFORMANCE CURVES

