

SALES & ENGINEERING DATA

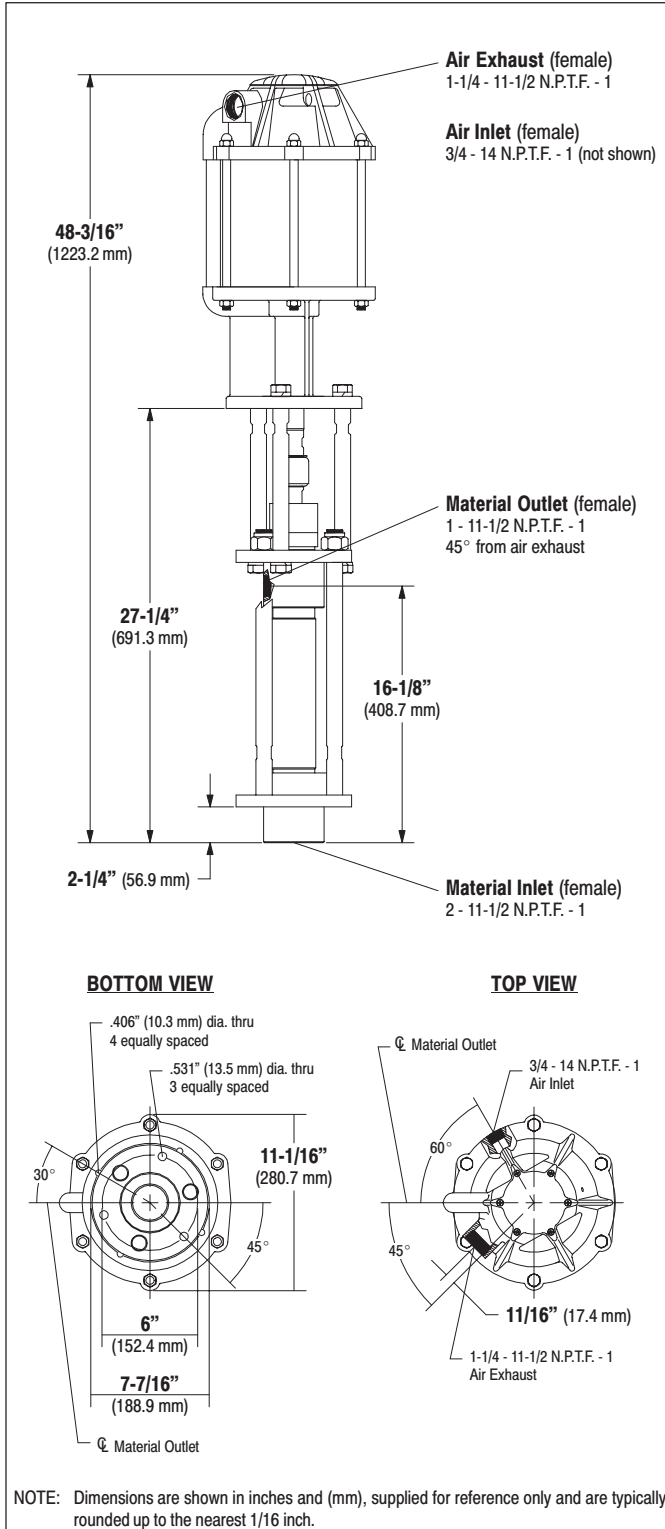
RATIO SERIES: **28:1**

FLUID P.S.I. RANGE: **0 - 3360**

650865-XXD-B TWO-BALL PUMP

RELEASED: 10-1-01
REVISED: S-1016

DIMENSIONAL DATA



SPECIFICATIONS

CONSTRUCTION

Model Series (refer to option chart)	650865-XXD-B
Pump Type	Air Operated, Two-Ball, Double Acting Pump
Ratio	28:1
Air Motor	66523-B
Motor Repair Kit	66614
Motor Diameter	8" (203.2 mm)
Stroke	6" (152.4 mm)
Air Inlet (female)	3/4 - 14 N.P.T.F. - 1
Air Exhaust (female)	1-1/4 - 11-1/2 N.P.T.F. - 1
Lower Pump End Series	66475-XXD
Lower Pump Repair Kit	637098-X43
Packing Options:	

3 - Glass Filled Teflon
C - UHMW-PE
G - UHMW-PE / Leather staggered
P - UHMW-PE / Glass Filled Teflon staggered upper • UHMW-PE lower
R - Glass Filled Teflon / UHMW-PE staggered upper • Glass Filled Teflon lower

Material Inlet (female)	2 - 11-1/2 N.P.T.F. - 1
Material Outlet (female)	1 - 11-1/2 N.P.T.F. - 1

MATERIALS OF CONSTRUCTION

Outlet Body	Carbon Steel, Nickel plated
Cylinder	420 Stainless Steel
Plunger	17-4 Stainless Steel, Hard Chrome
Upper Ball	440 Stainless Steel
Upper Seat	440 Stainless Steel
Lower Ball	440 Stainless Steel
Lower Seat	440 Stainless Steel
Inlet Body	Carbon Steel, Nickel plated
Weight	113 lbs (51.3 kgs)

PERFORMANCE

Air Inlet Pressure Range	30 - 120 p.s.i. (2.1 - 8.3 bar)
Fluid Pressure Range	840 - 3360 p.s.i. (57.9 - 231.7 bar)
Maximum Rec'd Cycles / Minute	70
Displacement In³ Per Cycle	20.7
Volume / Cycle	11.5 oz. (339.1 ml)
Cycles Per Gallon	11.2
Flow @ 70 Cycles / Minute	6.27 g.p.m. (23.7 l.p.m.)
Noise Level @ 60 p.s.i. - 40 c.p.m.	89.8 db(A)①

① Tested with 92460 Muffler installed. The pump sound pressure level has been updated to an Equivalent Continuous Sound Level (L_{Aeq}) to meet the intent of ANSI S1.13-1971, CAGI-PNEUROP S5.1 using four microphone locations.

ACCESSORIES:

- 66542 Wall Mount Bracket
- 67187-1 Mounting Post
- 92460 Silencer

PERFORMANCE CURVES

