

# SALES & ENGINEERING DATA

RATIO SERIES: **28:1**

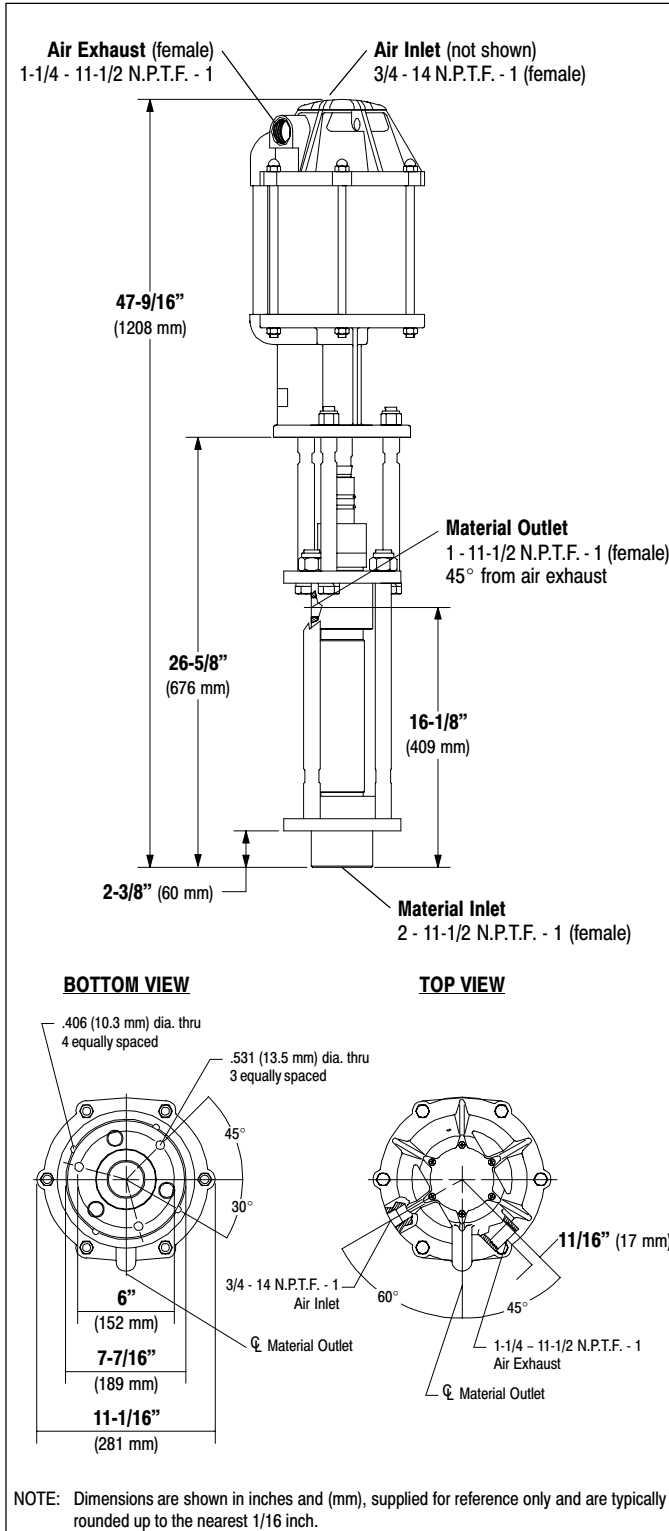
FLUID P.S.I. RANGE: **0 - 3360**

650865-XX3

## TWO - BALL PUMP

RELEASED: 11-6-98  
REVISED: 6-15-01  
S-976

### DIMENSIONAL DATA



### SPECIFICATIONS

#### CONSTRUCTION

<b>Model Series</b> (refer to option chart)	650865-XX3
<b>Pump Type</b>	Air Operated, Two-Ball, Double Acting Pump
<b>Ratio</b>	28:1
<b>Air Motor</b>	66523
<b>Motor Repair Kit</b>	66614
<b>Motor Diameter</b>	8" (203.2 mm)
<b>Stroke</b>	6" (152.4 mm)
<b>Air Inlet (female)</b>	3/4 - 14 N.P.T.F. - 1
<b>Air Exhaust (female)</b>	1-1/4 - 11-1/2 N.P.T.F. - 1
<b>Lower Pump End Series</b>	66475-XX3
<b>Lower Pump Repair Kit</b>	637098-XX3
<b>Packing Options:</b>	

- 3 - Glass Filled Teflon
- C - UHMW-PE
- G - UHMW-PE / Leather staggered
- P - UHMW-PE / Teflon staggered upper • UHMW-PE lower
- R - Teflon / UHMW-PE staggered upper • Teflon lower

<b>Material Inlet (female)</b>	2 - 11-1/2 N.P.T.F. - 1
<b>Material Outlet (female)</b>	1 - 11-1/2 N.P.T.F. - 1

#### MATERIALS OF CONSTRUCTION

<b>Outlet Body</b>	Carbon Steel, Nickel plated
<b>Cylinder</b>	420 Stainless Steel
<b>Plunger</b>	17-4 Stainless Steel, Hard Chrome
<b>Upper Ball</b>	440 Stainless Steel
<b>Upper Seat</b>	440 Stainless Steel
<b>Lower Ball</b>	440 Stainless Steel
<b>Lower Seat</b>	440 Stainless Steel
<b>Inlet Body</b>	Carbon Steel, Nickel plate
<b>Weight</b>	113 lbs (51.3 kgs)

#### PERFORMANCE

<b>Air Inlet Pressure Range</b>	0 - 120 p.s.i. (0 - 8.3 bar)
<b>Fluid Pressure Range</b>	0 - 3360 p.s.i. (0 - 231.7 bar)
<b>Max. Rec'd Cycles / Minute</b>	57
<b>Displacement In<sup>3</sup> Per Cycle</b>	20.7
<b>Volume / Cycle</b>	11.5 oz. (339.1 ml)
<b>Cycles Per Gallon</b>	11.2
<b>Flow @ 60 Cycles / Minute</b>	5.4 g.p.m. (20.4 l.p.m.)
<b>Noise Level @ 60 p.s.i. - 40 c.p.m.</b>	88.0 db(A) <sup>①</sup>

① Tested with 92460 Muffler installed. The pump sound pressure level has been updated to an Equivalent Continuous Sound Level (L<sub>Aeq</sub>) to meet the intent of ANSI S1.13-1971, CAGI-PNEUROP S5.1 using four microphone locations.

#### ACCESSORIES:

- 66542 Wall Mount Bracket
- 67187-1 Mounting Post
- 92460 Silencer



# PERFORMANCE CURVES

