

# SALES & ENGINEERING DATA

RATIO SERIES: **45:1**

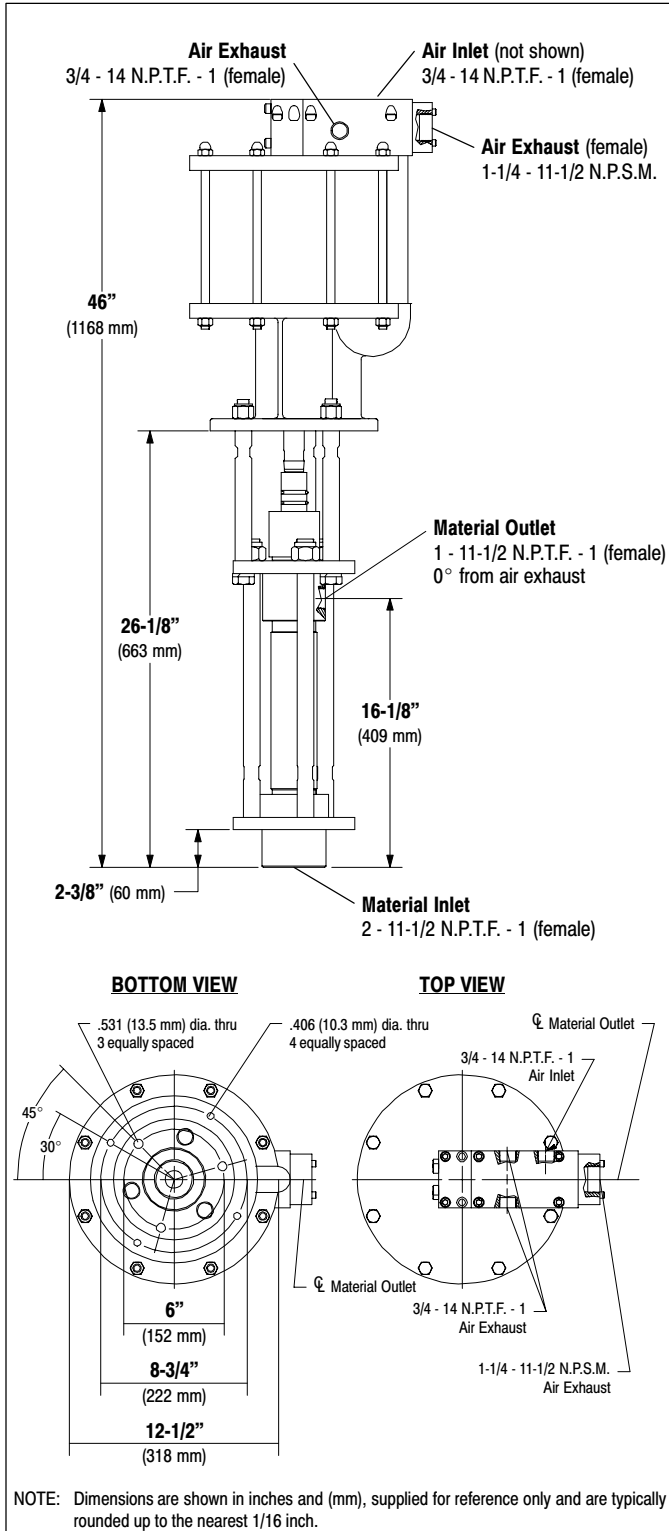
FLUID P.S.I. RANGE: **0 - 4050**

650863-XX3

TWO - BALL PUMP

RELEASED: 11-6-98  
 REVISED: 6-15-01  
 S-984

## DIMENSIONAL DATA



## SPECIFICATIONS

### CONSTRUCTION

Model Series (refer to option chart)	650863-XX3
Pump Type	Air Operated, Two-Ball, Double Acting Pump
Ratio	45:1
Air Motor	66651
Motor Repair Kit	637110
Motor Diameter	10" (254 mm)
Stroke	6" (152.4 mm)
Air Inlet (female)	3/4 - 14 N.P.T.F. - 1
Air Exhaust (female)	1-1/4 - 11-1/2 N.P.S.M.
Lower Pump End Series	66475-XX3
Lower Pump Repair Kit	637098-XX3
<b>Packing Options:</b>	

- 3 - Glass Filled Teflon
- C - UHMW-PE
- G - UHMW-PE / Leather staggered
- P - UHMW-PE / Teflon staggered upper • UHMW-PE lower
- R - Teflon / UHMW-PE staggered upper • Teflon lower

Material Inlet (female) . . . . . 2 - 11-1/2 N.P.T.F. - 1  
 Material Outlet (female) . . . . . 1 - 11-1/2 N.P.T.F. - 1

### MATERIALS OF CONSTRUCTION

Outlet Body	Carbon Steel, Nickel plated
Cylinder	420 Stainless Steel
Plunger	17-4 Stainless Steel, Hard Chrome
Upper Ball	440 Stainless Steel
Upper Seat	440 Stainless Steel
Lower Ball	440 Stainless Steel
Lower Seat	440 Stainless Steel
Inlet Body	Carbon Steel, Nickel plated
Weight	132 lbs (59.9 kgs)

### PERFORMANCE

Air Inlet Pressure Range	0 - 90 p.s.i. (0 - 6.2 bar)
Fluid Pressure Range	0 - 4050 p.s.i. (0 - 279.3 bar)
Max. Rec'd Cycles / Minute	60
Displacement In <sup>3</sup> Per Cycle	20.7
Volume / Cycle	11.5 oz. (339.1 ml)
Cycles Per Gallon	11.2
Flow @ 60 Cycles / Minute	5.4 g.p.m. (20.4 l.p.m.)
Noise Level @ 60 p.s.i. - 40 c.p.m.	82.0 db(A) <sup>①</sup>

① Tested with 66718 Muffler installed. The pump sound pressure level has been updated to an Equivalent Continuous Sound Level (L<sub>Aeq</sub>) to meet the intent of ANSI S1.13-1971, CAGI-PNEUROP S5.1 using four microphone locations.

- ACCESSORIES:**  
 66542 Wall Mount Bracket  
 67187-1 Mounting Post  
 66718 Silencer



**PERFORMANCE CURVES**

