

SALES & ENGINEERING DATA

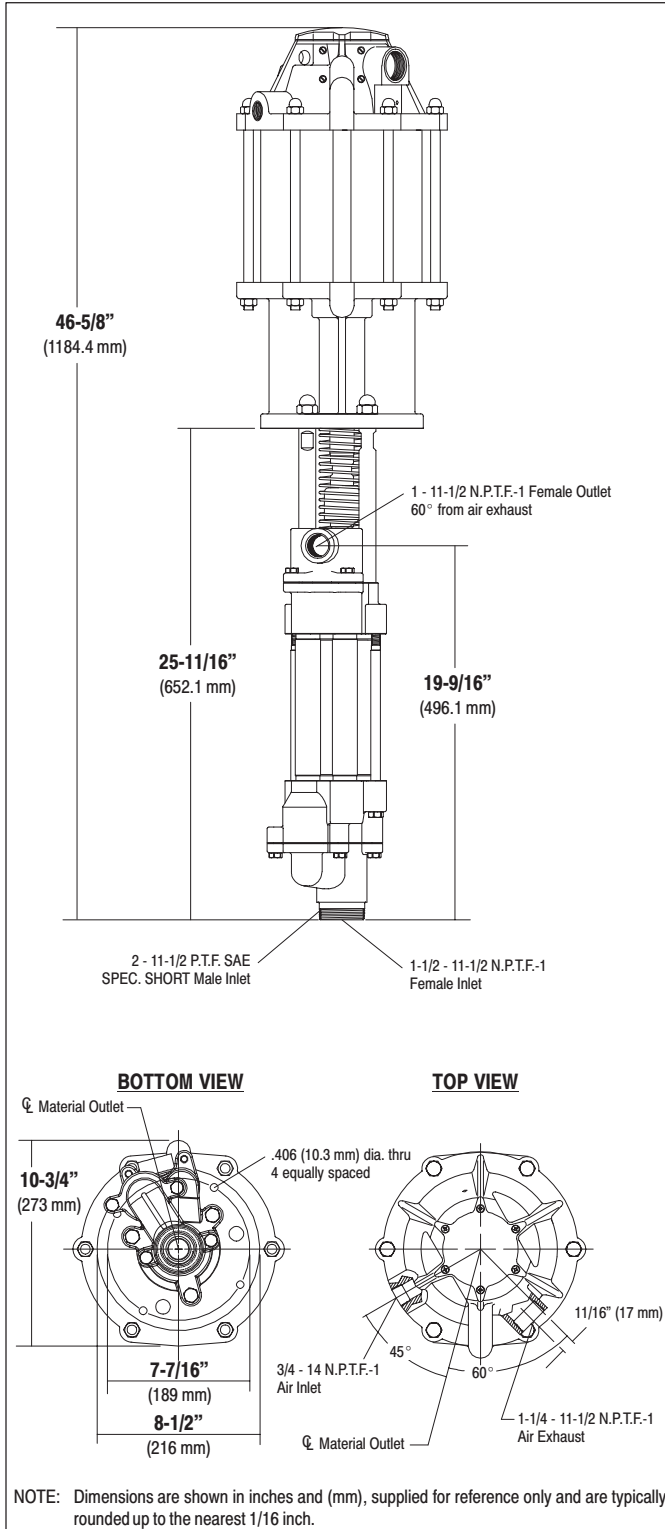
RATIO SERIES: **5:1**

FLUID P.S.I. RANGE: **150 - 702**

650840-X4G-B FOUR BALL PUMP

RELEASED: 2-6-02
REVISED: S-1014

DIMENSIONAL DATA



SPECIFICATIONS

CONSTRUCTION

| | |
|---|---|
| Model Series (refer to option chart) | 650840-X4G-B |
| Pump Type | Air Operated, Four Ball, Double Acting Pump |
| Ratio | 5:1 |
| Air Motor | 66523-B |
| Motor Repair Kit | 66614 |
| Motor Diameter | 8" (20.3 cm) |
| Stroke | 6" (15.2 cm) |
| Air Inlet (female) | 3/4 - 14 N.P.T.F.-1 |
| Air Exhaust (female) | 1-1/4 - 11-1/2 N.P.T.F.-1 |
| Lower Pump End Series | 67201-X4G |
| Lower Pump Repair Kit | 637318-X4G |
| Packing Options: | |

- 7 - Glass Filled Teflon (Upper) • Virgin Teflon (Lower)
- C - UHMW-PE (Upper and Lower)
- F - UHMW-PE / Leather Staggered (Upper) • UHMW-PE (Lower)
- P - UHMW-PE / Teflon Staggered (Upper) • UHMW-PE (Lower)
- R - Teflon / UHMW-PE Staggered (Upper) • Virgin Teflon (Lower)

Material Inlet

| | |
|---------------|---------------------------|
| Female thread | 1-1/2 - 11-1/2 N.P.T.F.-1 |
| Male thread | 2 - 11-1/2 P.T.F. (SHORT) |

Material Outlet (female) 1 - 11-1/2 N.P.T.F.-1

MATERIALS OF CONSTRUCTION

| | |
|--------------------|---------------------------------------|
| Outlet Body | CF-8M Stainless Steel |
| Cylinder | 304 Stainless Steel, Ceramic coating |
| Plunger | 17-4 Stainless Steel, Ceramic coating |
| Upper Ball | 316 Stainless Steel |
| Upper Seat | 17-4 Stainless Steel |
| Lower Ball | 316 Stainless Steel |
| Lower Seat | 17-4 Stainless Steel |
| Inlet Body | CF-8M Stainless Steel |
| Weight | 96 lbs (43.5 kgs) |

PERFORMANCE

| | |
|--|------------------------------------|
| Air Inlet Pressure Range | 30 - 120 p.s.i. (2.1 - 8.3 bar) |
| Fluid Pressure Range | 150 - 702 p.s.i. (10.3 - 48.4 bar) |
| Max. Rec'd Cycles / Minute | 70 |
| Displacement In³ Per Cycle | 108.1 |
| Volume / Cycle | 59.9 oz. (1771 ml) |
| Cycles Per Gallon | 2.1 |
| Flow @ 70 Cycles / Minute | 32.8 g.p.m. (124.0 l.p.m.) |
| Noise Level @ 60 p.s.i. - 40 c.p.m. | 89.8 db(A)① |

① Tested with 91790 Muffler installed. The pump sound pressure level has been updated to an Equivalent Continuous Sound Level (L_{Aeq}) to meet the intent of ANSI S1.13-1971, CAGI-PNEUROP S5.1 using four microphone locations.

ACCESSORIES:

- 92460 Silencer
- 66542 Wall Bracket
- 67187-1 Mounting Post



PERFORMANCE CURVES

