

SALES & ENGINEERING DATA

RATIO SERIES: **5:1**

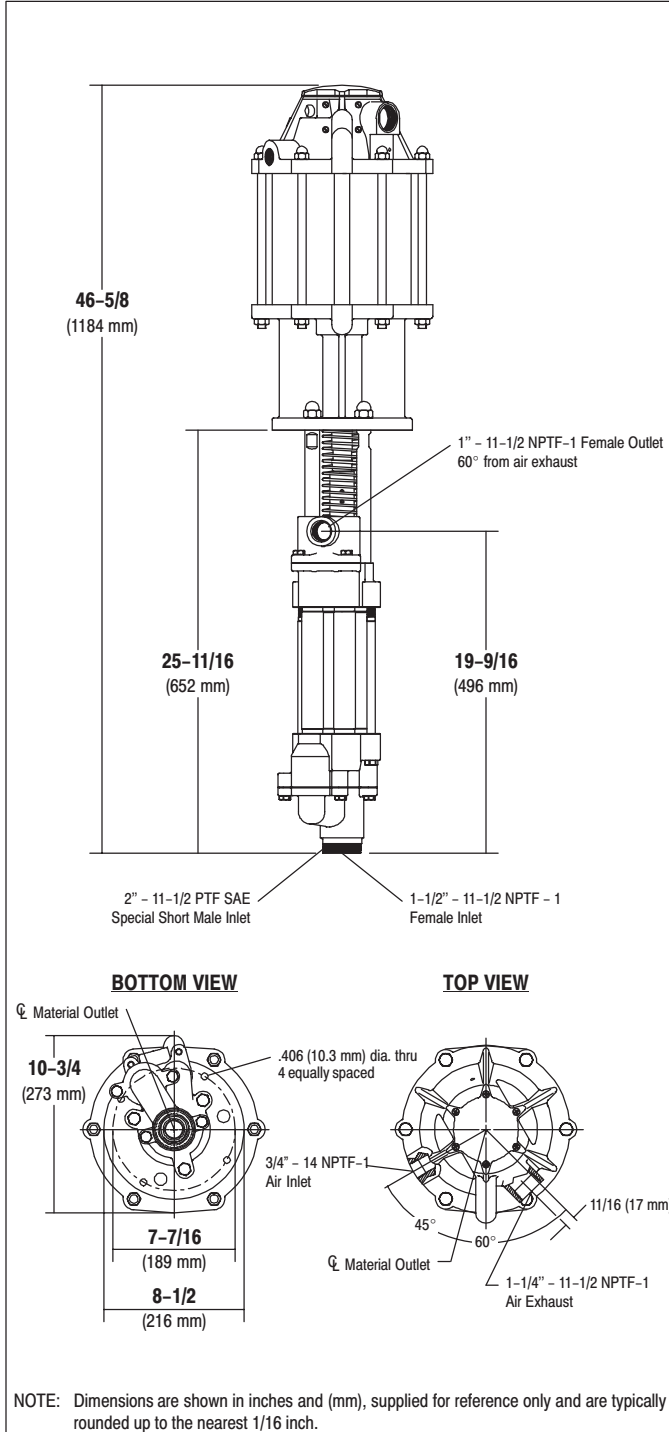
FLUID PSI RANGE: **150 – 702**

650840-X4C

FOUR – BALL PUMP

RELEASED: 9-25-98
REVISED: S-944

DIMENSIONAL DATA



SPECIFICATIONS

CONSTRUCTION

Model Series (refer to option chart)	650840-X4C
Pump Type	Air Operated, Four-Ball, Double Acting Pump
Ratio	5:1
Air Motor	66523
Motor Repair Kit	66614
Motor Diameter	8" (20.3 cm)
Stroke	6" (15.2 cm)
Air Inlet	3/4" - 14 n.p.t.f.-1 (female)
Air Exhaust	1-1/4" - 11-1/2 n.p.t.f.-1 (female)
Lower Pump End Series	67201-X4C
Lower Pump Repair Kit	637318-X4C

Packing Options:

- 7 - Teflon
- C - UHMW-PE
- F - UHMW-PE / Leather staggered upper • UHMW-PE lower
- P - UHMW-PE / Teflon staggered upper • UHMW-PE lower
- R - Teflon / UHMW-PE staggered upper • Teflon lower

Material Inlet

- Female thread 1-1/2" - 11-1/2 n.p.t.f. - 1
- Male thread 2" - 11-1/2 p.t.f. SAE spec. short

Material Outlet 1" - 11-1/2 n.p.t.f. - 1 (female)

MATERIALS OF CONSTRUCTION

Outlet Body	CF-8M Stainless Steel
Cylinder	304 Stainless Steel, Ceramic coating
Plunger	17-4 Stainless Steel, Ceramic coating
Upper Ball	316 Stainless Steel
Upper Seat	17-4 Stainless Steel
Lower Ball	316 Stainless Steel
Lower Seat	17-4 Stainless Steel
Inlet Body	CF-8M Stainless Steel
Weight	96 lbs (43.5 kgs)

PERFORMANCE

Air Inlet Pressure Range 30 - 120 p.s.i. (2.1 - 8.3 bar)
Fluid Pressure Range 150 - 702 p.s.i. (10.3 - 48.4 bar)
Max. Rec'd Cycles / Minute 60
Displacement In³ Per Cycle 108.1
Volume / Cycle 59.9 oz. (1771 ml)
Cycles Per Gallon 2.1
Flow @ 60 Cycles / Minute 28.0 g.p.m. (106.2 l.p.m.)
Noise Level @ 60 p.s.i. - 40 c.p.m. 89.8 db(A)①

① Tested with 91790 Muffler installed. The pump sound pressure level has been updated to an Equivalent Continuous Sound Level (L_{Aeq}) to meet the intent of ANSI S1. 13-1971, CAGI-PNEUROP S5.1 using four microphone locations.

ACCESSORIES:

- 66542 Wall Mount Bracket
- 67187-1 Mounting Post
- 92460 Silencer



INGERSOLL-RAND COMPANY
 ONE ARO CENTER • BRYAN, OHIO 43506-0151
 ☎ (419) 636-4242 • FAX (419) 633-1674

©1998 • PRINTED IN U.S.A.

INGERSOLL-RAND
FLUID PRODUCTS

PERFORMANCE CURVES

