

# SALES & ENGINEERING DATA

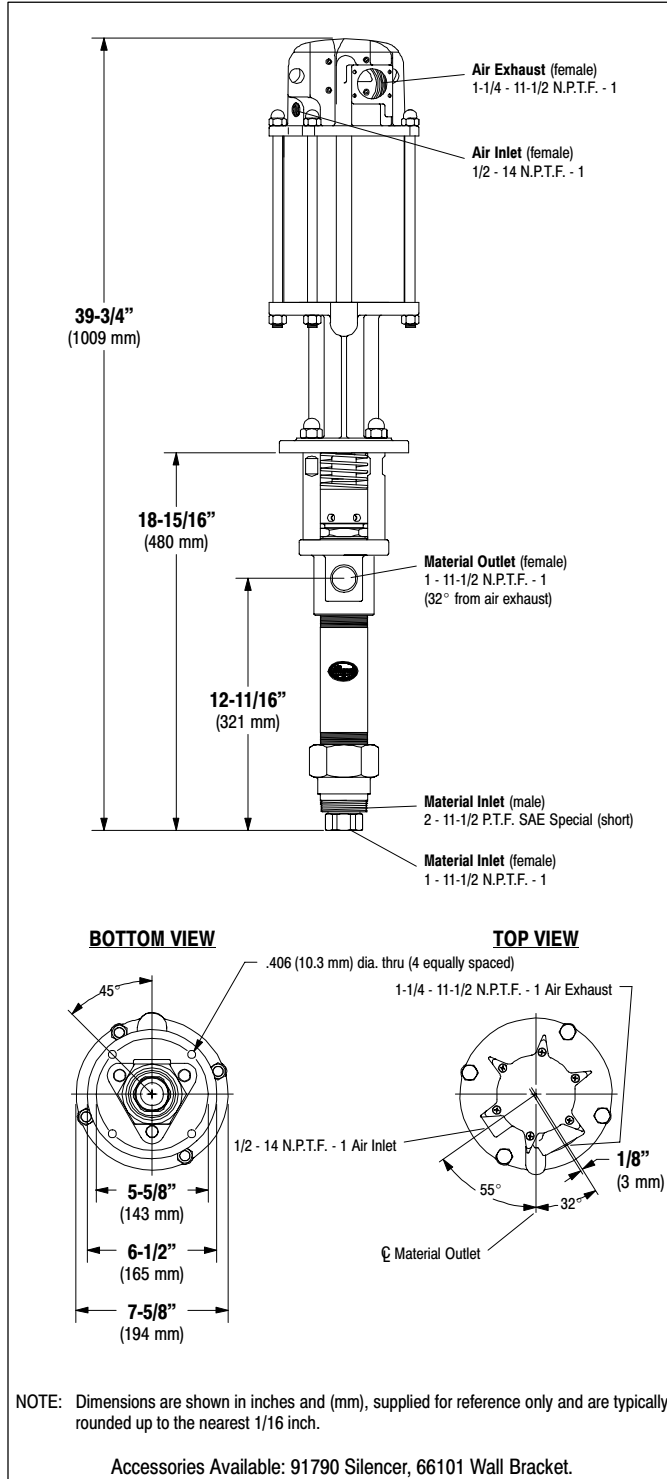
RATIO SERIES: **45:1**

FLUID P.S.I. RANGE: **1350 - 5459**

## 650684-XXX TWO-BALL PUMP SERIES

RELEASED: 12-12-95  
REVISED: 6-19-01  
S-837

### DIMENSIONAL DATA



### SPECIFICATIONS

#### CONSTRUCTION

<b>Model Series</b> (refer to option chart below)	650684-XXX
<b>Pump Type</b>	Air Operated, Two-Ball
<b>Ratio</b>	45:1
<b>Air Motor</b>	65665-B
<b>Motor Repair Kit</b>	61355
<b>Motor Diameter</b>	6" (15.2 cm)
<b>Stroke</b>	6"
<b>Air Inlet (female)</b>	1/2 - 14 N.P.T.F. - 1
<b>Air Exhaust (female)</b>	1-1/4 - 11-1/2 N.P.T.F. - 1
<b>Lower Pump End Series</b>	66301-XXX
<b>Lower Pump Repair Kit</b>	637306-X43
<b>Packing Options:</b>	

- 3 - Glass Filled Teflon (upper and lower)
- C - UHMW-PE (upper and lower)
- G - UHMW-PE / Leather staggered (upper and lower)
- P - UHMW-PE / Glass Filled Teflon staggered (upper)  
UHMW-PE (lower)
- R - Glass Filled Teflon / UHMW-PE staggered (upper)  
Glass Filled Teflon (lower)

<b>Material Inlet (female)</b>	1 - 11-1/2 N.P.T.F. - 1
<b>(male)</b>	2 - 11-1/2 P.T.F. SAE (short)
<b>Material Outlet (female)</b>	1 - 11-1/2 N.P.T.F. - 1

#### MATERIALS OF CONSTRUCTION

##### Lower Pump End Materials: ①

<b>Outlet Body</b>	CF8M Stainless Steel
<b>Cylinder (-XX3)</b>	316 Stainless Steel Hard Chrome
<b>(-XXB)</b>	316 Stainless Steel Ceramic Coated
<b>Plunger (-XX3)</b>	17-4 Stainless Steel Hard Chrome
<b>(-XXB)</b>	17-4 Stainless Steel Ceramic Coated
<b>Upper Ball</b>	316 Stainless Steel
<b>Upper Seat</b>	Tungsten Carbide
<b>Lower Ball</b>	316 Stainless Steel
<b>Lower Seat</b>	Tungsten Carbide
<b>Inlet Body</b>	CF8M Stainless Steel
<b>Weight</b>	46.2 lbs (21 kgs)

#### PERFORMANCE

<b>Air Inlet Pressure Range</b>	30 - 120 p.s.i. (2 - 8.3 bar)
<b>Fluid Pressure Range</b>	1350 - 5459 p.s.i. (93 - 376 bar)
<b>Maximum Rec'd Cycles / Minute</b>	60
<b>Displacement In<sup>3</sup> Per Cycle</b>	7.5
<b>Volume / Cycle</b>	4.1 oz. (122 ml)
<b>Cycles Per Gallon</b>	31
<b>Flow @ 60 Cycles / Minute</b>	1.9 g.p.m. (7.3 l.p.m.)
<b>Noise Level @ 60 p.s.i. - 40 c.p.m.②</b>	84.8 db(A)

① All wetted components are passivated or electro-polished and have corrosion resistance characteristics of 300 Series stainless steel.

② Tested with 91790 silencer installed. The pump sound pressure level has been updated to an Equivalent Continuous Sound Level (L<sub>Aeq</sub>) to meet the intent of ANSI S1.13-1971, CAGI-PNEUROP S5.1 using four microphone locations.



# PERFORMANCE CURVES

## TWO-BALL PUMP, 6" AIR MOTOR, 6" STROKE, 45:1 RATIO

