

SALES & ENGINEERING DATA

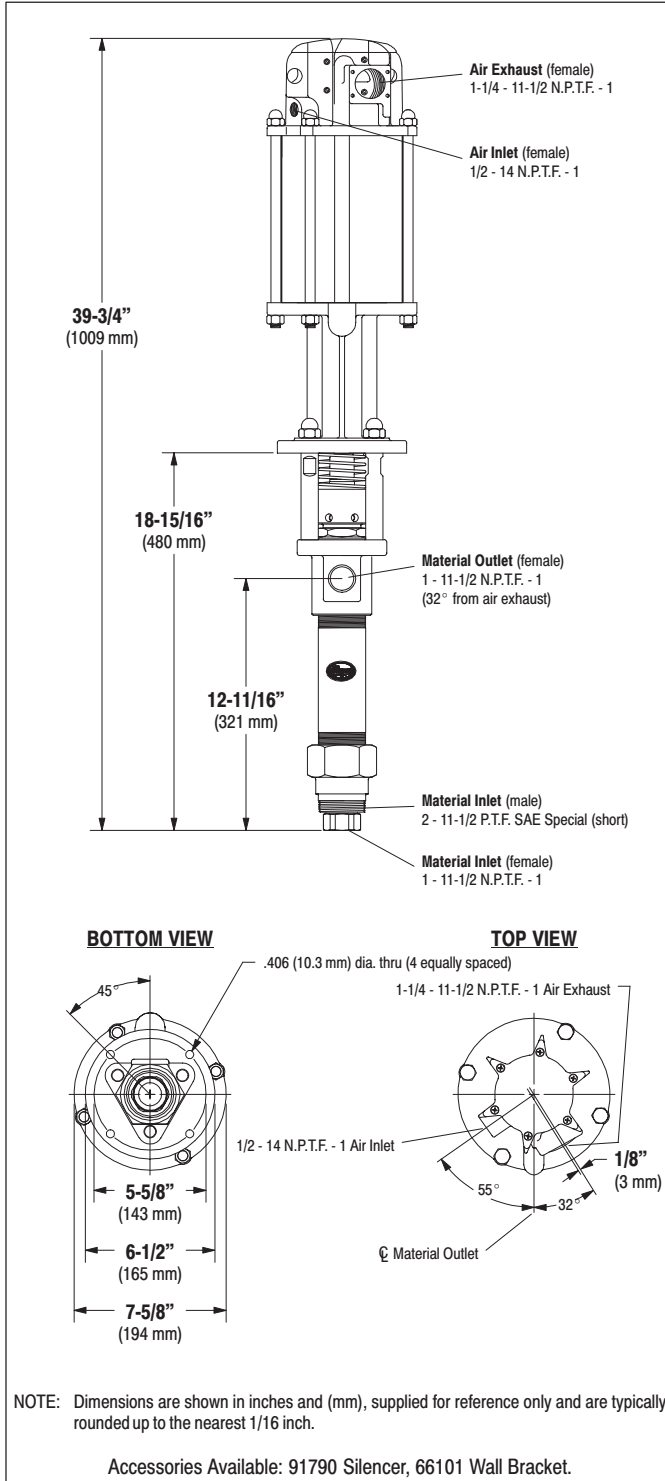
RATIO SERIES: **23:1**

FLUID P.S.I. RANGE: **690 - 3495**

650683-XXX TWO-BALL PUMP SERIES

RELEASED: 12-12-95
REVISED: 2-5-02
S-836

DIMENSIONAL DATA



SPECIFICATIONS

CONSTRUCTION

Model Series (refer to option chart below)	650683-XXX
Pump Type	Air Operated, Two-Ball
Ratio	23:1
Air Motor	65665-B
Motor Repair Kit	61355
Motor Diameter	6" (15.2 cm)
Stroke	6"
Air Inlet (female)	1/2 - 14 N.P.T.F. - 1
Air Exhaust (female)	1-1/4 - 11-1/2 N.P.T.F. - 1
Lower Pump End Series	66300-XXX
Lower Pump Repair Kit	637305-X43
Packing Options:	
3 - Glass Filled Teflon (upper and lower)	
C - UHMW-PE (upper and lower)	
G - UHMW-PE / Leather staggered (upper and lower)	
P - UHMW-PE / Glass Filled Teflon staggered (upper)	
UHMW-PE (lower)	
R - Glass Filled Teflon / UHMW-PE staggered (upper)	
Glass Filled Teflon (lower)	
Material Inlet (female)	1 - 11-1/2 N.P.T.F. - 1
(male)	2 - 11-1/2 P.T.F. SAE (short)
Material Outlet (female)	1 - 11-1/2 N.P.T.F. - 1

MATERIALS OF CONSTRUCTION

Lower Pump End Materials: ①	
Outlet Body CF8M Stainless Steel	
Cylinder (-XX3)	316 Stainless Steel Hard Chrome
(-XXB)	316 Stainless Steel Ceramic Coated
Plunger (-XX3)	17-4 Stainless Steel Hard Chrome
(-XXB)	17-4 Stainless Steel Ceramic Coated
Upper Ball	316 Stainless Steel
Upper Seat	Tungsten Carbide
Lower Ball	316 Stainless Steel
Lower Seat	Tungsten Carbide
Inlet Body	CF8M Stainless Steel
Weight	46.2 lbs (21 kgs)

PERFORMANCE

Air Inlet Pressure Range	30 - 150 p.s.i. (2 - 10.3 bar)
Fluid Pressure Range	690 - 3495 p.s.i. (23 - 241 bar)
Maximum Rec'd Cycles / Minute	60
Displacement In³ Per Cycle	14.5
Volume / Cycle	8 oz. (238 ml)
Cycles Per Gallon	15.9
Flow @ 60 Cycles / Minute	3.8 g.p.m. (14.3 l.p.m.)
Noise Level @ 60 p.s.i. - 40 c.p.m. ②	84.8 db(A)

① All wetted components are passivated or electro-polished and have corrosion resistance characteristics of 300 Series stainless steel.

② Tested with 91790 silencer installed. The pump sound pressure level has been updated to an Equivalent Continuous Sound Level (L_{Aeq}) to meet the intent of ANSI S1.13-1971, CAGI-PNEUROP S5.1 using four microphone locations.



PERFORMANCE CURVES

TWO-BALL PUMP, 6" AIR MOTOR, 6" STROKE, 23:1 RATIO

