

SALES & ENGINEERING DATA

RATIO SERIES: **3:1**

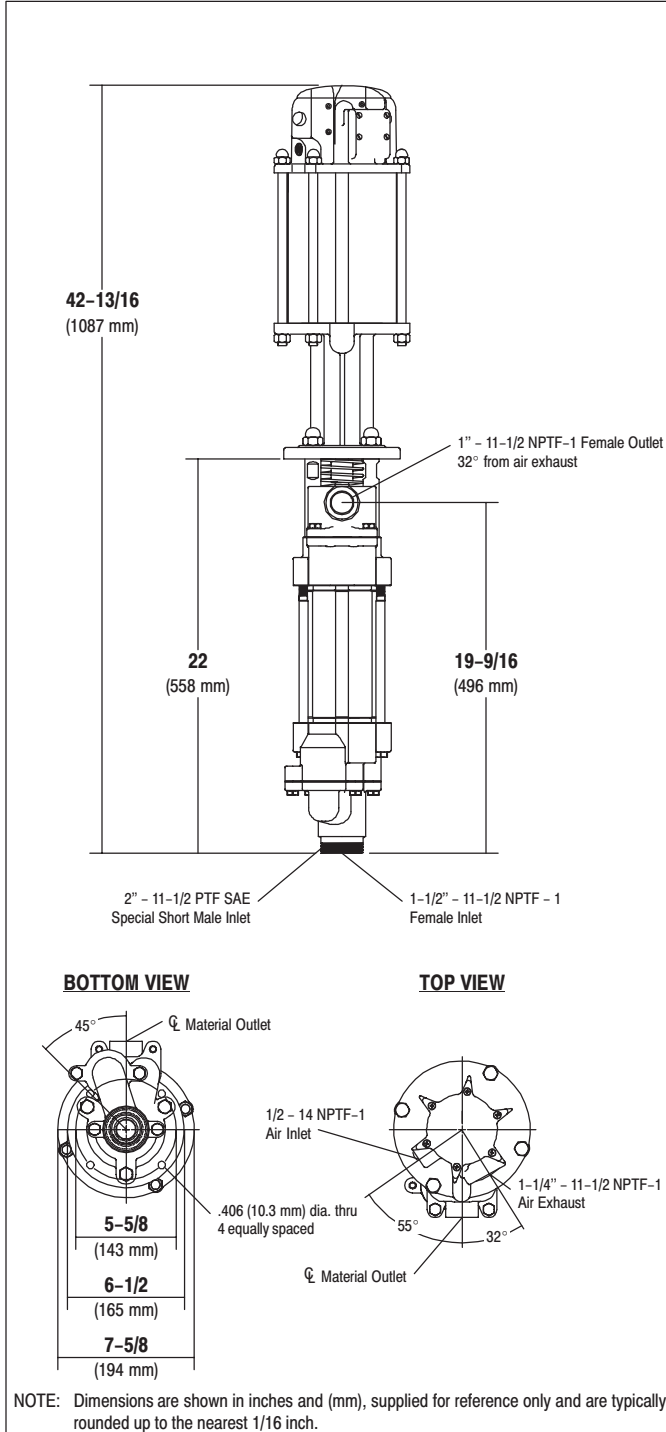
FLUID PSI RANGE: **90 – 457**

650640-X4B

FOUR – BALL PUMP

RELEASED: 9-25-98
REVISED: S-940

DIMENSIONAL DATA



SPECIFICATIONS

CONSTRUCTION

Model Series (refer to option chart)	650640-X4B
Pump Type	Air Operated, Four-Ball, Double Acting Pump
Ratio	3:1
Air Motor	65665-B
Motor Repair Kit	61355
Motor Diameter	6" (15.2 cm)
Stroke	6" (15.2 cm)
Air Inlet	1/2" – 14 n.p.t.f.-1 (female)
Air Exhaust	1-1/4" – 11-1/2 n.p.t.f.-1 (female)
Lower Pump End Series	67201-X4B
Lower Pump Repair Kit	637318-X4B

Packing Options:

7 – Teflon
C – UHMW-PE
F – UHMW-PE / Leather staggered upper • UHMW-PE lower
P – UHMW-PE / Teflon staggered upper • UHMW-PE lower
R – Teflon / UHMW-PE staggered upper • Teflon lower

Material Inlet

Female thread 1-1/2" – 11-1/2 n.p.t.f. – 1

Male thread 2" – 11-1/2 p.t.f. SAE spec. short

Material Outlet 1" – 11-1/2 n.p.t.f. – 1 (female)

MATERIALS OF CONSTRUCTION

Outlet Body	CF-8M Stainless Steel
Cylinder	304 Stainless Steel, Ceramic coating
Plunger	17-4 Stainless Steel, Ceramic coating
Upper Ball	316 Stainless Steel
Upper Seat	17-4 Stainless Steel
Lower Ball	316 Stainless Steel
Lower Seat	17-4 Stainless Steel
Inlet Body	CF-8M Stainless Steel
Weight	73.25 lbs (33.2 kgs)

PERFORMANCE

Air Inlet Pressure Range 30 – 150 p.s.i. (2.1 – 10.3 bar)
Fluid Pressure Range 90 – 457 p.s.i. (6.2 – 31.5 bar)
Max. Rec'd Cycles / Minute 60
Displacement In³ Per Cycle 112.7
Volume / Cycle 62.4 oz. (1846 ml)
Cycles Per Gallon 2.05
Flow @ 60 Cycles / Minute 29.3 g.p.m. (110.8 l.p.m.)
Noise Level @ 60 p.s.i. – 40 c.p.m.	84.8 db(A) ^①

① Tested with 91790 Muffler installed. The pump sound pressure level has been updated to an Equivalent Continuous Sound Level (L_{Aeq}) to meet the intent of ANSI S1. 13-1971, CAGI-PNEUROP S5.1 using four microphone locations.

ACCESSORIES:

- 66101 Wall Mount Bracket
- 67187-1 Mounting Post
- 91790 Silencer



INGERSOLL-RAND COMPANY
ONE ARO CENTER • BRYAN, OHIO 43506-0151
☎ (419) 636-4242 • FAX (419) 633-1674

©1998 • PRINTED IN U.S.A.

INGERSOLL-RAND
FLUID PRODUCTS

PERFORMANCE CURVES

