

SALES & ENGINEERING DATA

RATIO SERIES: **4:1**

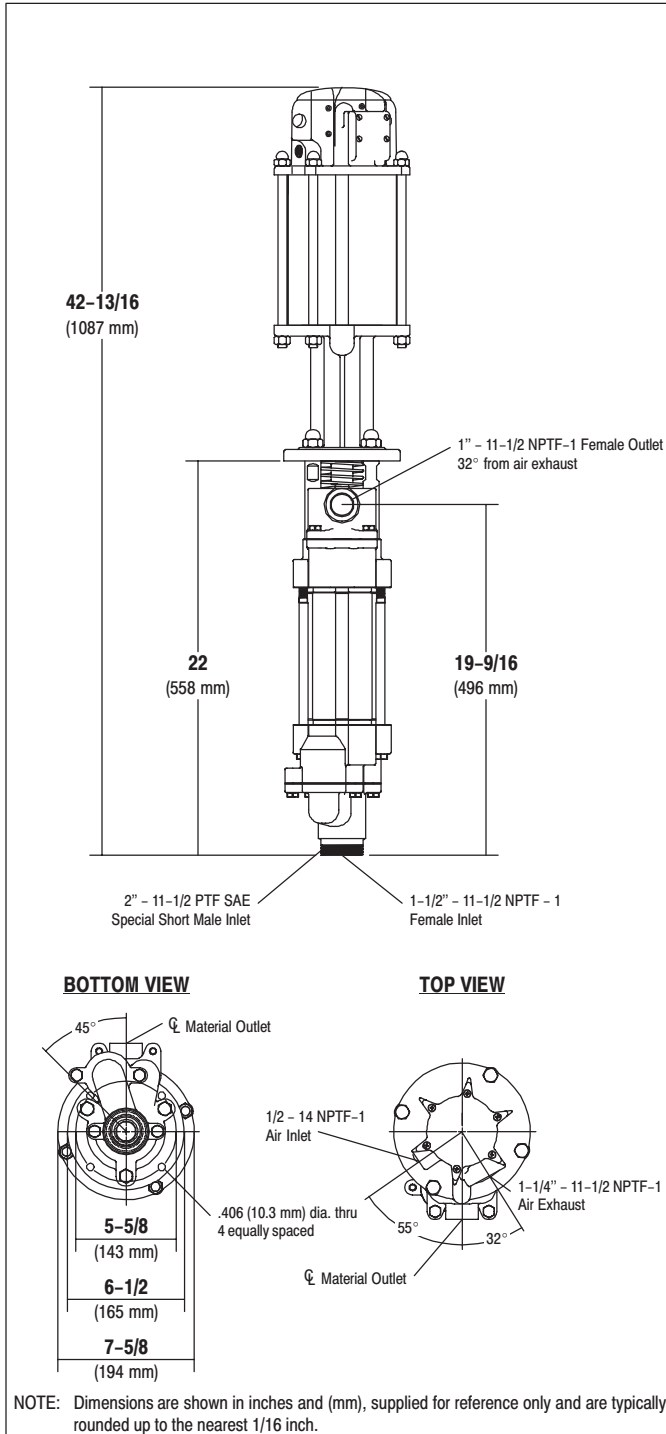
FLUID PSI RANGE: **120 – 633**

650639-X4B

FOUR – BALL PUMP

RELEASED: 9-25-98
REVISED: S-938

DIMENSIONAL DATA



SPECIFICATIONS

CONSTRUCTION

Model Series (refer to option chart)	650639-X4B
Pump Type	Air Operated, Four-Ball, Double Acting Pump
Ratio	4:1
Air Motor	65665-B
Motor Repair Kit	61355
Motor Diameter	6" (15.2 cm)
Stroke	6" (15.2 cm)
Air Inlet	1/2" - 14 n.p.t.f.-1 (female)
Air Exhaust	1-1/4" - 11-1/2 n.p.t.f.-1 (female)
Lower Pump End Series	67200-X4B
Lower Pump Repair Kit	637317-X4B

Packing Options:

7 - Teflon
C - UHMW-PE
F - UHMW-PE / Leather staggered upper • UHMW-PE lower
P - UHMW-PE / Teflon staggered upper • UHMW-PE lower
R - Teflon / UHMW-PE staggered upper • Teflon lower

Material Inlet

Female thread 1-1/2" - 11-1/2 n.p.t.f. - 1

Male thread 2" - 11-1/2 p.t.f. SAE spec. short

Material Outlet 1" - 11-1/2 n.p.t.f. - 1 (female)

MATERIALS OF CONSTRUCTION

Outlet Body	CF-8M Stainless Steel
Cylinder	304 Stainless Steel, Ceramic coating
Plunger	17-4 Stainless Steel, Ceramic coating
Upper Ball	316 Stainless Steel
Upper Seat	17-4 Stainless Steel
Lower Ball	316 Stainless Steel
Lower Seat	17-4 Stainless Steel
Inlet Body	CF-8M Stainless Steel
Weight	71.25 lbs (32.3 kgs)

PERFORMANCE

Air Inlet Pressure Range 30 - 150 p.s.i. (2.1 - 10.3 bar)
Fluid Pressure Range 120 - 633 p.s.i. (4.1 - 43.7 bar)
Max. Rec'd Cycles / Minute 60
Displacement In³ Per Cycle 82.1
Volume / Cycle 45.5 oz. (1344 ml)
Cycles Per Gallon 2.8
Flow @ 60 Cycles / Minute 21.3 g.p.m. (80.6 l.p.m.)
Noise Level @ 60 p.s.i. - 40 c.p.m.	84.8 db(A) ^①

① Tested with 91790 Muffler installed. The pump sound pressure level has been updated to an Equivalent Continuous Sound Level (L_{Aeq}) to meet the intent of ANSI S1. 13-1971, CAGI-PNEUROP S5.1 using four microphone locations.

ACCESSORIES:

- 66101 Wall Mount Bracket
- 67187-1 Mounting Post
- 91790 Silencer



INGERSOLL-RAND COMPANY
ONE ARO CENTER • BRYAN, OHIO 43506-0151

☎ (419) 636-4242 • FAX (419) 633-1674 ©1998 • PRINTED IN U.S.A.

INGERSOLL-RAND
FLUID PRODUCTS

PERFORMANCE CURVES

