

# SALES & ENGINEERING DATA

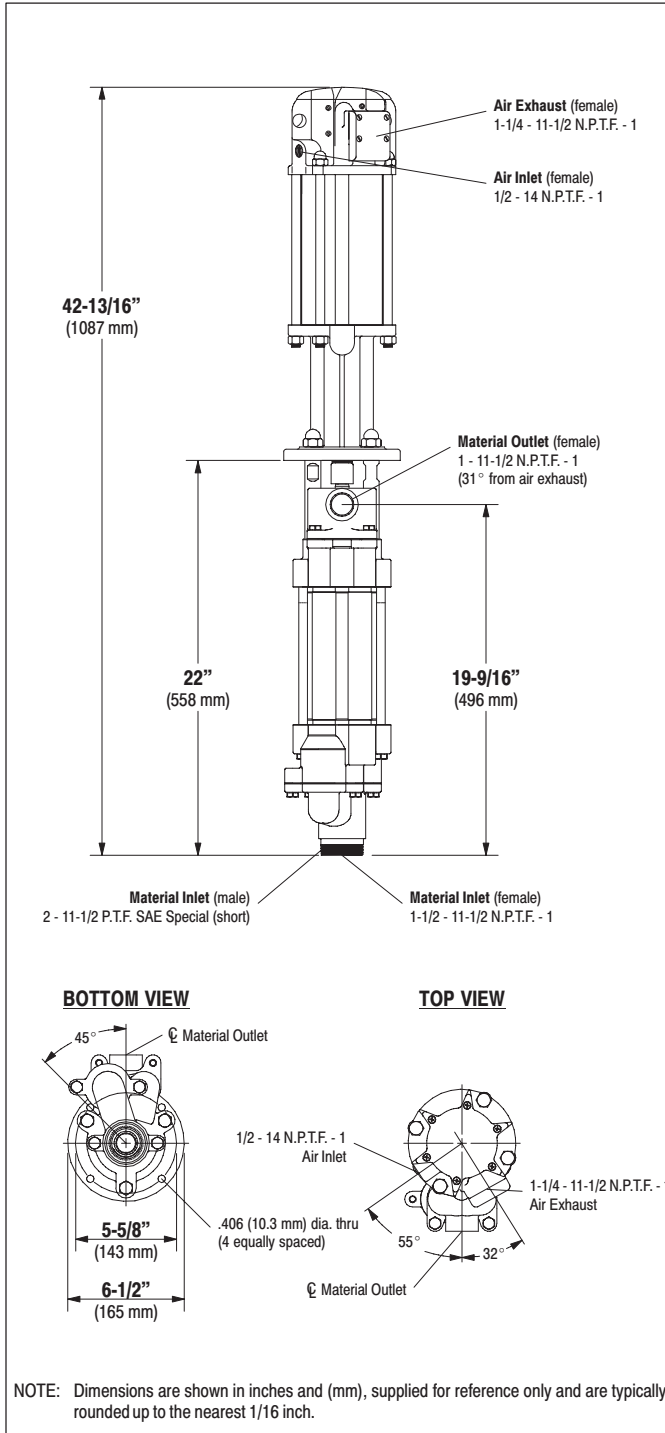
RATIO SERIES: **2:1**

FLUID P.S.I. RANGE: **60 - 312**

## 650497 FOUR-BALL PUMP

RELEASED: 10-5-05  
REVISED: 11-15-05  
REV. 02 S-1379

### DIMENSIONAL DATA



### SPECIFICATIONS

#### CONSTRUCTION

Model	650497
Pump Type	Air Operated, Four-Ball
Ratio	2:1
Air Motor	65465-B
Motor Repair Kit	61268
Motor Diameter	4-1/4" (10.8 cm)
Stroke	6" (15.2 cm)
Air Inlet (female)	1/2 - 14 N.P.T.F. - 1
Air Exhaust (female)	1-1/4 - 11-1/2 N.P.T.F. - 1
Lower Pump End	67368
Lower Pump Repair Kit	637424
Material Inlet (female)	1-1/2 - 11-1/2 N.P.T.F. - 1
(male)	2 - 11-1/2 P.T.F. SAE (short)
Material Outlet (female)	1 - 11-1/2 N.P.T.F. - 1

#### MATERIALS OF CONSTRUCTION

Outlet Body	CF8M Stainless Steel
Cylinder	304 Stainless Steel Ceramic Coated
Plunger	17-4 Stainless Steel Hard Chrome
Upper Ball	316 Stainless Steel
Upper Seat	17-4 Stainless Steel
Lower Ball	316 Stainless Steel
Lower Seat	17-4 Stainless Steel
Inlet Body	CF8M Stainless Steel
Weight	68 lbs (30.8 kgs)

#### PERFORMANCE

Air Inlet Pressure Range	30 - 150 p.s.i. (2.1 - 10.3 bar)
Fluid Pressure Range	60 - 312 p.s.i. (4.1 - 21.5 bar)
Maximum Rec'd Cycles / Minute	60
Displacement In <sup>3</sup> Per Cycle	82.1
Volume / Cycle	45.5 oz. (1344 ml)
Cycles Per Gallon	2.8
Flow @ 60 Cycles / Minute	21.3 g.p.m. (80.6 l.p.m.)
Noise Level @ 60 p.s.i. - 40 c.p.m.①	81.8 db(A)

① Tested with 91790 silencer installed. The pump sound pressure level has been updated to an Equivalent Continuous Sound Level (L<sub>Aeq</sub>) to meet the intent of ANSI S1.13-1971, CAGI-PNEUROP S5.1 using four microphone locations.

**ACCESSORIES:**  
66101 Wall Mount Bracket  
67187-1 Mounting Post  
91790 Silencer

# PERFORMANCE CURVES

