

SALES & ENGINEERING DATA

RATIO SERIES: **23:1**

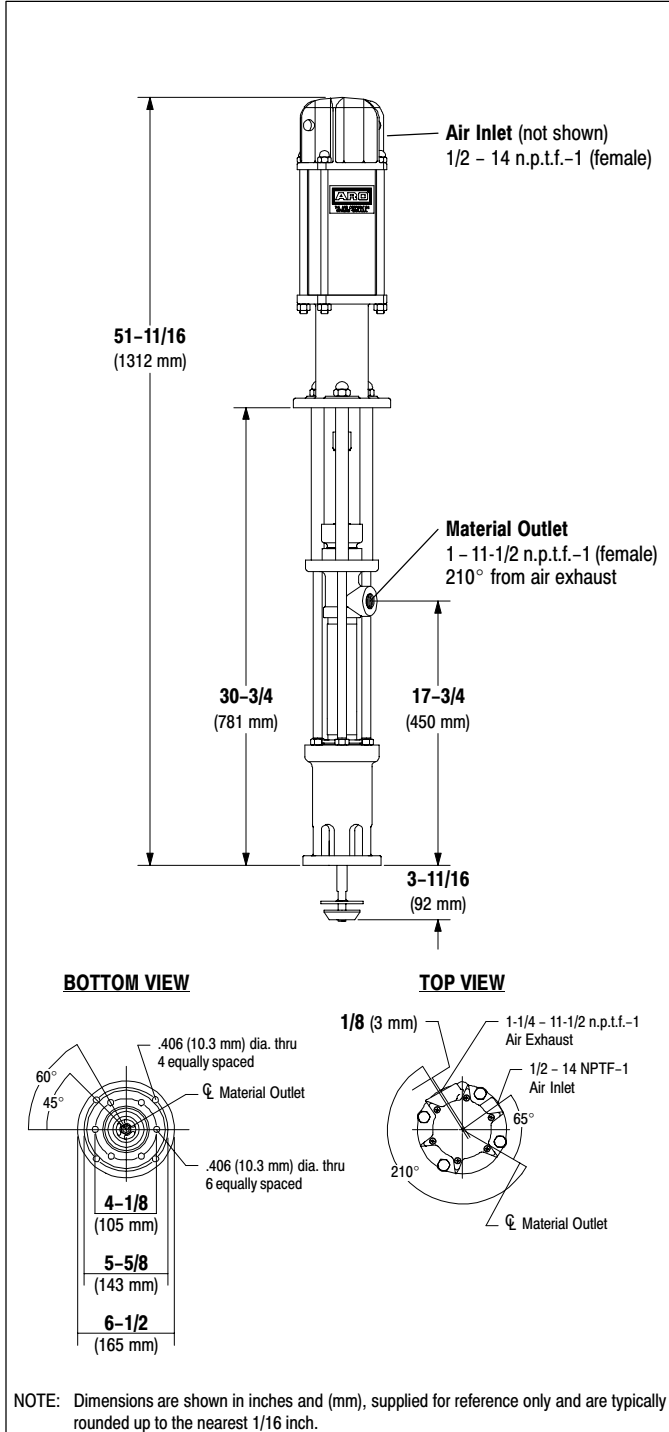
FLUID PSI RANGE: **0 - 3690**

650492-X43

EXTRUSION PUMP

RELEASED: 11-6-98
REVISED: S-968

DIMENSIONAL DATA



SPECIFICATIONS

CONSTRUCTION

Model Series (refer to option chart) 650492-X43
Pump Type Air Operated, Extrusion, Double Acting Pump
Ratio 23:1
Air Motor 65465-B
Motor Repair Kit 61268
Motor Diameter 4-1/4" (107.9 mm)
Stroke 6" (152.4 mm)
Air Inlet 1/2 - 14 n.p.t.f.-1 (female)
Air Exhaust 1-1/4 - 11-1/2 n.p.t.f.-1 (female)
Lower Pump End Series ... 66266-X43
Lower Pump Repair Kit . 637074-X43
Packing Options:

3 - Glass Filled Teflon
 C - UHMW-PE
 G - UHMW-PE / Leather staggered
 P - UHMW-PE / Teflon staggered upper • UHMW-PE lower
 R - Teflon / UHMW-PE staggered upper • Teflon lower

Material Inlet immersed
Material Outlet 1 - 11-1/2 n.p.t.f.-1 (female)

MATERIALS OF CONSTRUCTION

Outlet Body Ductile Iron, E Nickel plated
Cylinder Carbon Steel, Nickel plated
Plunger 17-4 Stainless Steel, Chrome plated
Upper Check 440 Stainless Steel
Upper Seat 440 Stainless Steel
Lower Check 440 Stainless Steel
Lower Seat 440 Stainless Steel
Inlet Body Ductile Iron, Nickel plated
Weight 63.7 lbs (28.9 kgs)

PERFORMANCE

Air Inlet Pressure Range 0 - 150 p.s.i. (0 - 10.3 bar)
Fluid Pressure Range 0 - 3690 p.s.i. (0 - 254.5 bar)
Max. Rec'd Cycles / Minute ... 60
Displacement In³ Per Cycle ... 6.97
Volume / Cycle 3.9 oz. (114.2 ml)
Cycles Per Gallon 33.1
Flow @ 60 Cycles / Minute ... 1.8 g.p.m. (6.9 l.p.m.)
Noise Level @ 60 p.s.i. - 40 c.p.m. 80.0 db(A)①

① Tested with 91790 Muffler installed. The pump sound pressure level has been updated to an Equivalent Continuous Sound Level (L_{Aeq}) to meet the intent of ANSI S1. 13-1971, CAGI-PNEUROP S5.1 using four microphone locations.

ACCESSORIES:

66101 Wall Mount Bracket
 67187-1 Mounting Post
 91790 Silencer

ARO

INGERSOLL-RAND COMPANY
 ONE ARO CENTER • BRYAN, OHIO 43506-0151
 ☎ (419) 636-4242 • FAX (419) 633-1674

©1998 • PRINTED IN U.S.A.

INGERSOLL-RAND
FLUID PRODUCTS

PERFORMANCE CURVES

