

# SALES & ENGINEERING DATA

RATIO SERIES: **12:1**

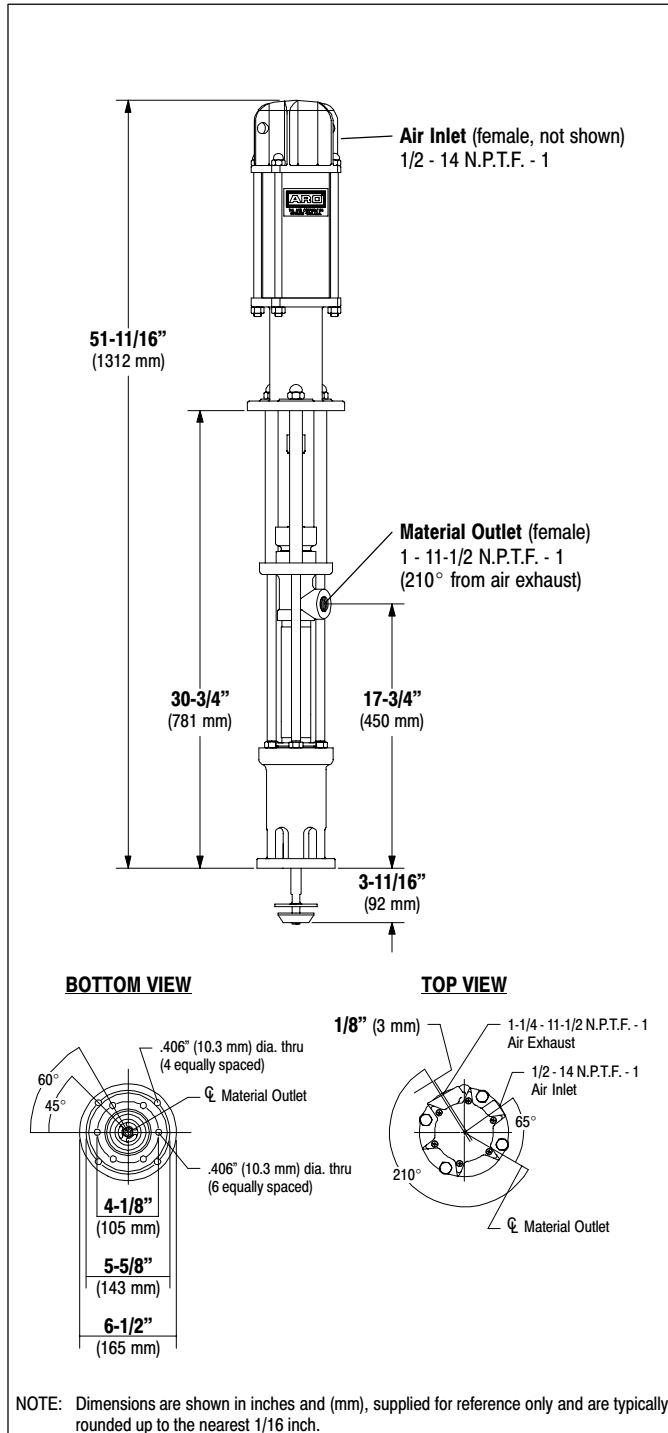
FLUID P.S.I. RANGE: **0 - 2085**

650491-X43

## EXTRUSION PUMP

RELEASED: 11-6-98  
REVISED: 6-19-01  
S-967

### DIMENSIONAL DATA



### SPECIFICATIONS

#### CONSTRUCTION

<b>Model Series</b> (refer to option chart)	650491-X43
<b>Pump Type</b>	Air Operated, Extrusion, Double Acting Pump
<b>Ratio</b>	12:1
<b>Air Motor</b>	65465-B
<b>Motor Repair Kit</b>	61268
<b>Motor Diameter</b>	4-1/4" (107.9 mm)
<b>Stroke</b>	6" (152.4 mm)
<b>Air Inlet (female)</b>	1/2 - 14 N.P.T.F. - 1
<b>Air Exhaust (female)</b>	1-1/4 - 11-1/2 N.P.T.F. - 1
<b>Lower Pump End Series</b>	66243-X43
<b>Lower Pump Repair Kit</b>	637071-X43
<b>Packing Options:</b>	

- 3 - Glass Filled Teflon (upper and lower)
- C - UHMW-PE (upper and lower)
- G - UHMW-PE / Leather staggered (upper and lower)
- P - UHMW-PE / Glass Filled Teflon staggered (upper) UHMW-PE lower
- R - Glass Filled Teflon / UHMW-PE staggered (upper) Glass Filled Teflon (lower)

**Material Inlet** ..... immersed  
**Material Outlet (female)** ..... 1 - 11-1/2 N.P.T.F. - 1

#### MATERIALS OF CONSTRUCTION

<b>Outlet Body</b>	Ductile Iron, E Nickel coated
<b>Cylinder</b>	Carbon Steel, Nickel plated
<b>Plunger</b>	17-4 Stainless Steel, Hard Chrome plated
<b>Upper Check</b>	440 Stainless Steel
<b>Upper Seat</b>	440 Stainless Steel
<b>Lower Check</b>	440 Stainless Steel
<b>Lower Seat</b>	440 Stainless Steel
<b>Inlet Body</b>	Ductile Iron, E Nickel coated
<b>Weight</b>	64 lbs (29.0 kgs)

#### PERFORMANCE

<b>Air Inlet Pressure Range</b>	0 - 150 p.s.i. (0 - 10.3 bar)
<b>Fluid Pressure Range</b>	0 - 2085 p.s.i. (0 - 143.8 bar)
<b>Max. Rec'd Cycles / Minute</b>	60
<b>Displacement In<sup>3</sup> Per Cycle</b>	12.6
<b>Volume / Cycle</b>	7.0 oz. (206.4 ml)
<b>Cycles Per Gallon</b>	18.3
<b>Flow @ 60 Cycles / Minute</b>	3.3 g.p.m. (12.4 l.p.m.)
<b>Noise Level @ 60 p.s.i. - 40 c.p.m.</b>	80.0 db(A) <sup>①</sup>

① Tested with 91790 Muffler installed. The pump sound pressure level has been updated to an Equivalent Continuous Sound Level (L<sub>Aeq</sub>) to meet the intent of ANSI S1.13-1971, CAGI-PNEUROP S5.1 using four microphone locations.

#### ACCESSORIES:

- 66101 Wall Mount Bracket
- 67187-1 Mounting Post
- 91790 Silencer



**PERFORMANCE CURVES**

