

# SALES & ENGINEERING DATA

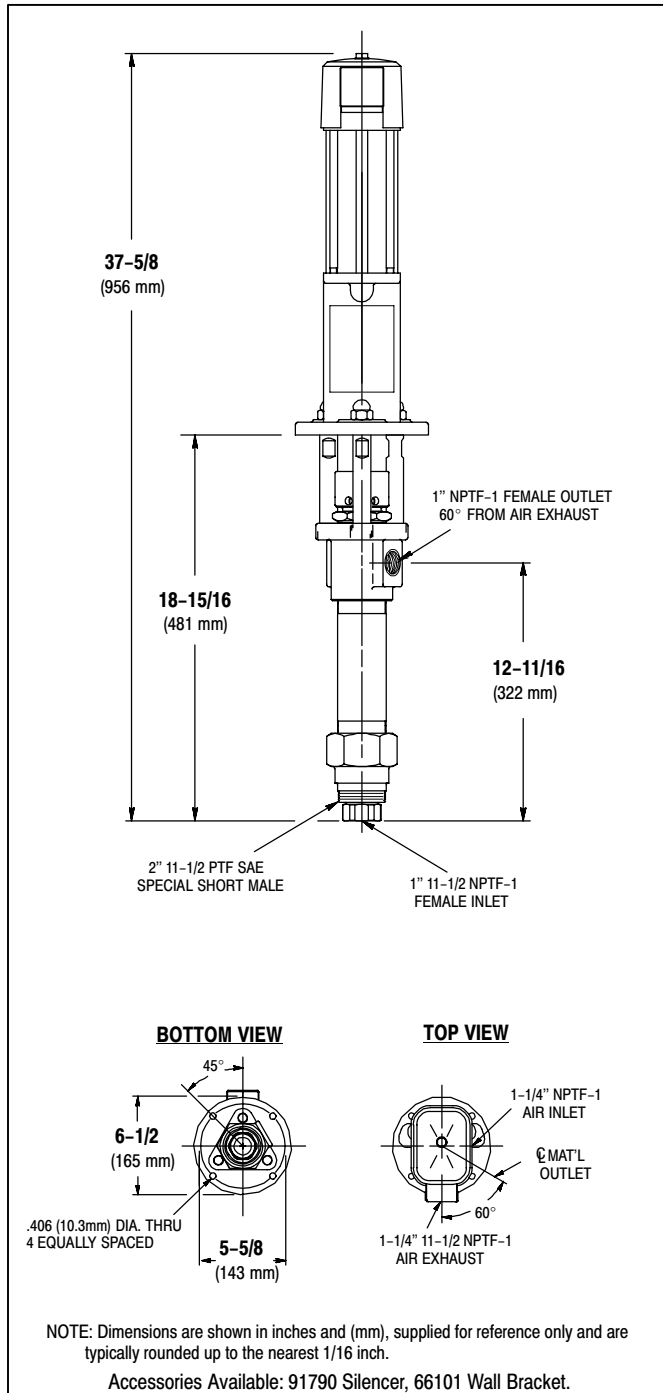
RATIO SERIES: **17:1**

FLUID PSI RANGE: **510 - 2550**

## 650385 - X43 TWO-BALL PUMP SERIES

RELEASED: 12-12-95  
REVISED:  
S-832 (REV. )

### DIMENSIONAL DATA



### SPECIFICATIONS

#### CONSTRUCTION

**Model Series** (Refer to option chart below) 650385-X43  
**Type** ..... Air Operated, Two Ball  
**Ratio** ..... 17:1  
**Air Motor** ..... 65365  
**Motor Repair Kit** ..... 637041  
**Motor Diameter** ..... 3-1/4" (8.3 cm)  
**Stroke** ..... 6"  
**Air Inlet** ..... 1/4" - 18 NPTF-1(f)  
**Air Exhaust** ..... 1-1/4", 11-1/2 NPTF-1 (f)  
**Lower Pump End Series** ..... 66302-X43  
**Lower Pump Repair Kit** ..... 637307-X43  
**Packing Options:**

3 - Teflon	P - UHMW-PE/Teflon St'gd • UHMW-PE Lower
C - UHMW-PE	R - Teflon/UHMW-PE St'gd • Teflon Lower
G - UHMW-PE/Leather	

**Material Inlet** ..... 1" 11-1/2 NPTF-1(f) & 2" 11-1/2 PTF (m) (SHORT)  
**Material Outlet** ..... 1" 11-1/2 NPTF-1(f)  
**Lower Pump End Materials:**①  
**Outlet Body** ..... CF8M Stainless Steel  
**Cylinder** ..... 316 S.Stl Hard Chrome  
**Plunger** ..... 17- 4 S.Stl Hard Chrome  
**Upper Ball** ..... Tungsten Carbide  
**Upper Seat** ..... Tungsten Carbide  
**Lower Ball** ..... 316 Stainless Steel  
**Lower Seat** ..... Tungsten Carbide  
**Inlet Body** ..... CF8M Stainless Steel  
**Weight** ..... 35.5 Lbs (16.1 Kgs)

#### PERFORMANCE

**Air Inlet Pressure Range** ..... 30 - 150 PSI (2 - 10.3 bar)  
**Fluid Pressure Range** ..... 510 - 2550 PSI (35 - 176 bar)  
**Max. Rec'd Cycles / Minute** ... 60  
**Displacement In<sup>3</sup> Per Cycle** ... 5.5  
**Volume/Cycle** ..... 3 oz. (90 ml)  
**Cycles Per Gallon**② ..... 41.9  
**Flow @ 60 Cycles / Minute** ... 1.3 GPM (4.92 lpm)  
**Noise Level @ 60 Psi - 40 Cpm**③ 74.8 db(A)

#### Notes:

- ① All wetted components are passivated or electro-polished and have corrosion resistance characteristics of 300 Series Stainless Steel.
- ② 231 Cubic Inches = 1 Gallon
- ③ Tested with 91790 Silencer installed.



INGERSOLL-RAND COMPANY  
 ONE ARO CENTER • BRYAN, OHIO 43506-0151  
 ☎ (419) 636-4242 • FAX (419) 636-2115

©1995 • PRINTED IN U.S.A.

**INGERSOLL-RAND**  
**FLUID PRODUCTS**

# PERFORMANCE CURVES

## TWO BALL PUMP, 3-1/4" AIR MOTOR, 6" STROKE, 17:1 RATIO

