

SALES & ENGINEERING DATA

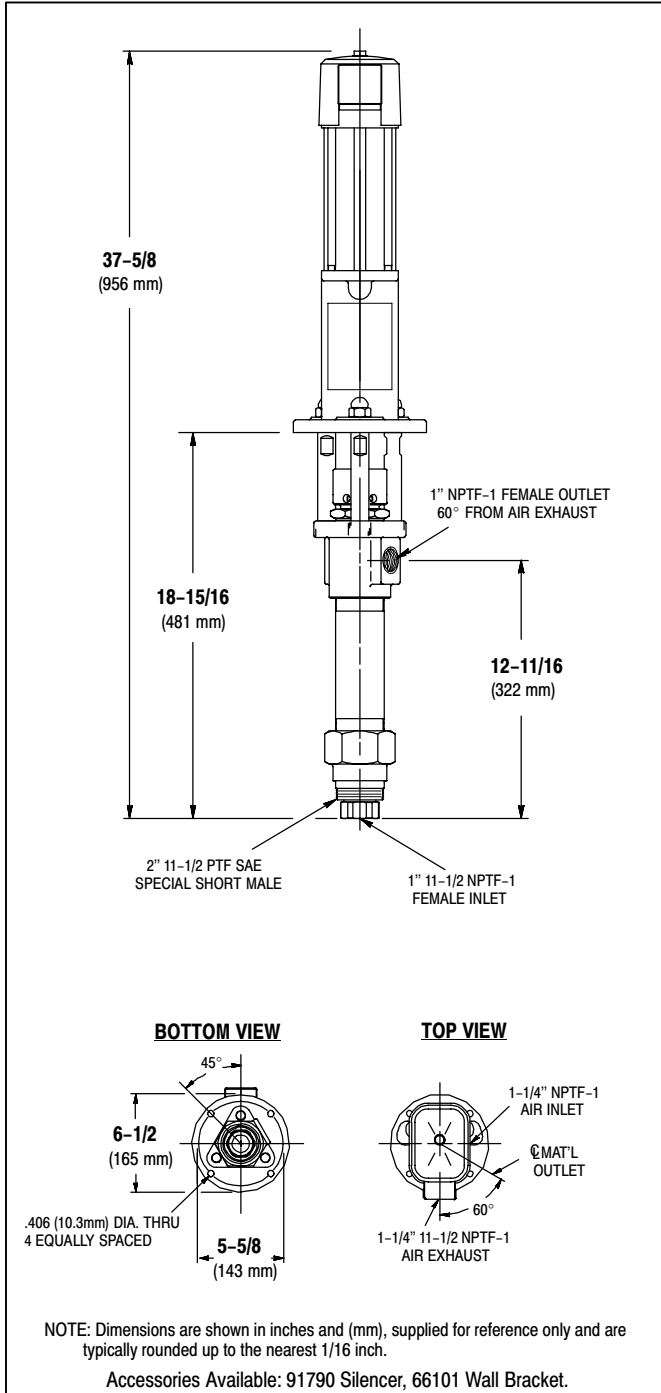
RATIO SERIES: **6:1**

FLUID PSI RANGE: **180 – 900**

650383 – X43 TWO-BALL PUMP SERIES

RELEASED: 12-12-95
REVISED: S-830 (REV.)

DIMENSIONAL DATA



SPECIFICATIONS

CONSTRUCTION

Model Series (Refer to option chart below) 650383-X43
Type Air Operated, Two Ball
Ratio 6:1
Air Motor 65365
Motor Repair Kit 637041
Motor Diameter 3-1/4" (8.3 cm)
Stroke 6"
Air Inlet 1/4" – 18 NPTF-1(f)
Air Exhaust 1-1/4", 11-1/2 NPTF-1 (f)
Lower Pump End Series 66300-X43
Lower Pump Repair Kit 637305-X43
Packing Options:

3 - Teflon	P - UHMW-PE/Teflon St'gd • UHMW-PE Lower
C - UHMW-PE	R - Teflon/UHMW-PE St'gd • Teflon Lower
G - UHMW-PE/Leather	

Material Inlet 1" 11-1/2 NPTF-1(f) &
2" 11-1/2 PTF (m) (SHORT)
Material Outlet 1" 11-1/2 NPTF-1(f)
Lower Pump End Materials:①
Outlet Body CF8M Stainless Steel
Cylinder 316 S.Stl Hard Chrome
Plunger 17- 4 S.Stl Hard Chrome
Upper Ball 316 Stainless Steel
Upper Seat Tungsten Carbide
Lower Ball 316 Stainless Steel
Lower Seat Tungsten Carbide
Inlet Body CF8M Stainless Steel
Weight 35.5 Lbs (16.1 Kgs)

PERFORMANCE

Air Inlet Pressure Range 30 – 150 PSI (2 – 10.3 bar)
Fluid Pressure Range 180 – 900 PSI (12 – 62 bar)
Max. Rec'd Cycles / Minute ... 60
Displacement In³ Per Cycle ... 14.5
Volume/Cycle 8 oz. (238 ml)
Cycles Per Gallon② 15.9
Flow @ 60 Cycles / Minute ... 3.7 GPM (14.3 lpm)
Noise Level @ 60 Psi – 40 Cpm③ 74.8 db(A)

Notes:

- ① All wetted components are passivated or electro-polished and have corrosion resistance characteristics of 300 Series Stainless Steel.
- ② 231 Cubic Inches = 1 Gallon
- ③ Tested with 91790 Silencer installed.

ARO

INGERSOLL-RAND COMPANY
 ONE ARO CENTER • BRYAN, OHIO 43506-0151
 ☎ (419) 636-4242 • FAX (419) 636-2115

©1995 • PRINTED IN U.S.A.

INGERSOLL-RAND
FLUID PRODUCTS

PERFORMANCE CURVES

TWO BALL PUMP, 3-1/4" AIR MOTOR, 6" STROKE, 6:1 RATIO

