

# SALES & ENGINEERING DATA

RATIO SERIES: **4:1**

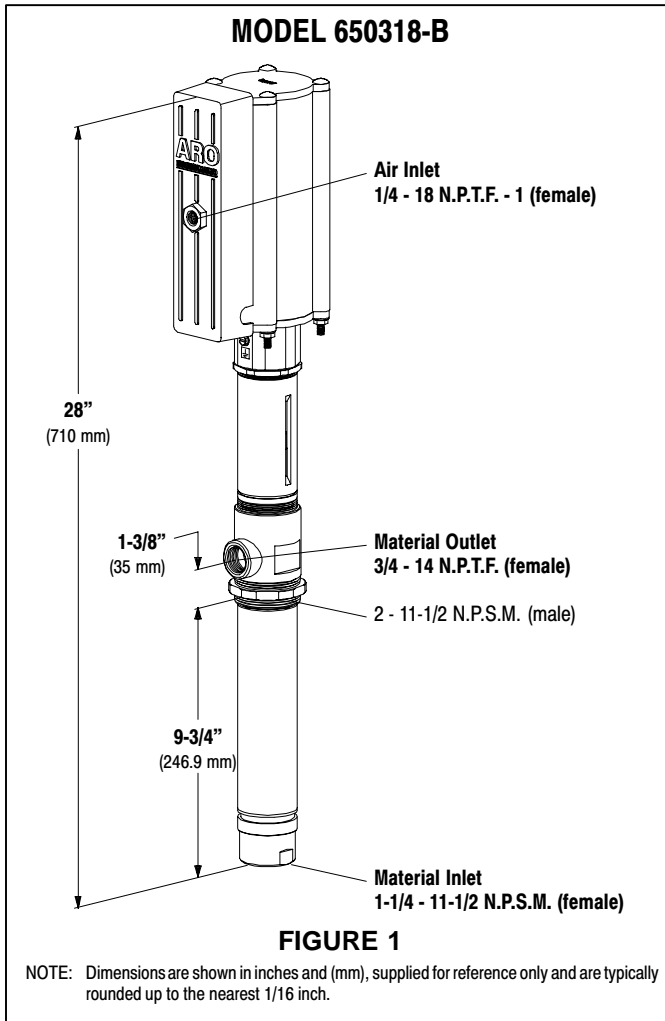
FLUID PSI RANGE: **0 - 600**

650318-B

## STAINLESS STEEL PUMP

RELEASED: 3-17-00  
REVISED: S-1139

### DIMENSIONAL DATA



### SPECIFICATIONS

Model Series	650318-B
Pump Type	Air Operated, Ball Check, Stainless Steel Pump
Ratio	4:1
Air Motor	66913
Air Motor Repair Kit	637316
Air Motor Diameter	3" (7.62 cm)
Stroke	3" (7.62 cm)
Air Inlet	1/4 - 18 N.P.T.F. - 1 (female)
Lower Pump End Series	60834
Lower Pump Repair Kit	637331
Material Inlet	1-1/4 - 11-1/2 N.P.S.M. (female)
Material Outlet	3/4 - 14 N.P.T.F. - 1 (female)

### MATERIALS OF CONSTRUCTION

Outlet Body	316 Stainless Steel
Cylinder	316 Stainless Steel
Plunger	316 Stainless Steel
Upper Packing	E.P.R. / Teflon staggered
Lower Packing	E.P.R.
Lower Ball	316 Stainless Steel
Inlet Body	316 Stainless Steel

### PERFORMANCE

Air Inlet Pressure Range	0 - 150 p.s.i. (0 - 10.3 bar)
Fluid Pressure Range	0 - 600 p.s.i. (0 - 41.4 bar)
Maximum Rec'd Cycles / Minute	120
Maximum Working Flow Rate	5.7 g.p.m. (21.6 l.p.m.)
Displacement / Cycle @ 100 p.s.i.	11.0 in. <sup>3</sup> (180.2 ml)
Cycles Per Gallon	21
Noise Level @ 100 p.s.i.	85 db(A) <sup>①</sup>

<sup>①</sup> The pump sound pressure level has been updated to an Equivalent Continuous Sound Level ( $L_{Aeq}$ ) to meet the intent of ANSI S1. 13-1971, CAGI-PNEUROP S5.1 using four microphone locations.

### ACCESSORIES:

61113 Wall Mount Bracket  
66073-1 Air Line Connection Kit

**ARO**

INGERSOLL-RAND COMPANY  
P.O. BOX 151 • ONE ARO CENTER • BRYAN, OHIO 43506-0151  
☎ (419) 636-4242 • FAX (419) 633-1674

©2000 • PRINTED IN U.S.A.

**INGERSOLL-RAND**  
**FLUID PRODUCTS**

# PERFORMANCE CURVES

