

SALES & ENGINEERING DATA

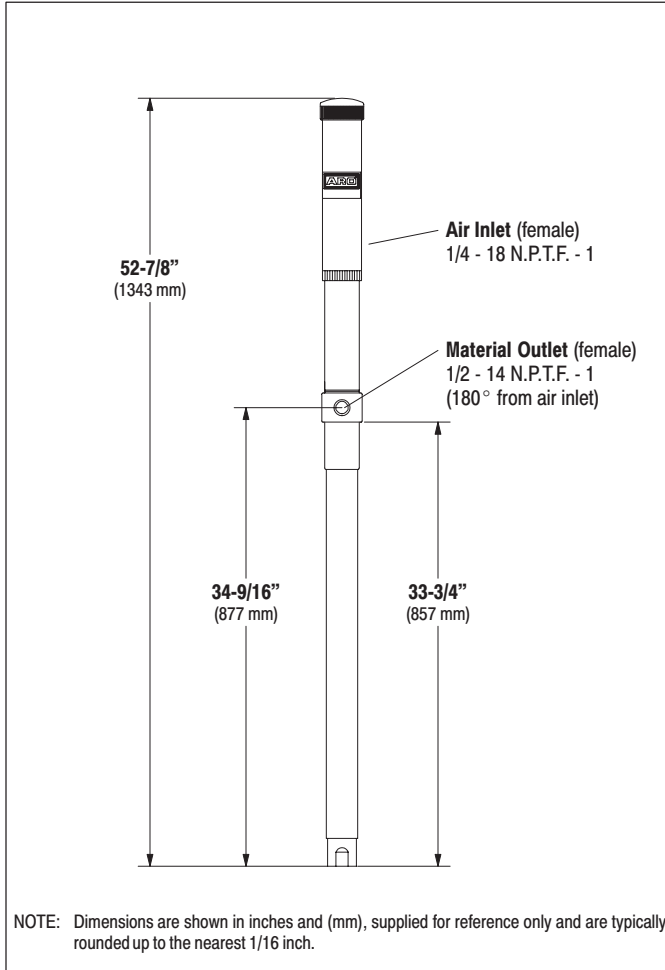
RATIO SERIES: **2:1**

FLUID P.S.I. RANGE: **0 - 300**

650133 and 650133-1 DOUBLE ACTING PUMP

RELEASED: 11-6-98
REVISED: 6-13-02
S-961

DIMENSIONAL DATA



SPECIFICATIONS

CONSTRUCTION

Model Series (refer to option chart)	650133-X
Pump Type	Air Operated, Double Acting Pump
Ratio	2:1
Air Motor	60702
Motor Repair Kit	66098
Motor Diameter	2" (50.8 mm)
Stroke	6" (152.4 mm)
Air Inlet (female)	1/4 - 18 N.P.T.F. - 1
Lower Pump End Series	
model 650133	66281
model 650133-1	66281-1
Lower Pump Repair Kit	
model 650133	637044
model 650133-1	637045

Packing Options:

650133	- Ryton filled Teflon (upper) / Mineral filled Teflon (lower)
650133-1	- UHMW-PE (upper) / High density Polyethylene (lower)

Material Inlet	immersed
Material Outlet (female)	1/2 - 14 N.P.T.F. - 1

MATERIALS OF CONSTRUCTION

Outlet Body	316 Stainless Steel
Cylinder	316 Stainless Steel
Plunger	316 Stainless Steel
Lower Ball	316 Stainless Steel
Lower Seat	316 Stainless Steel
Inlet Body	316 Stainless Steel
Weight	19 lbs (8.6 kgs)

PERFORMANCE

Air Inlet Pressure Range	0 - 150 p.s.i. (0 - 10.3 bar)
Fluid Pressure Range	0 - 300 p.s.i. (0 - 20.7 bar)
Maximum Rec'd Cycles / Minute	120
Displacement In ³ Per Cycle	8.0
Volume / Cycle	4.4 oz. (131 ml)
Cycles Per Gallon	28.9
Noise Level @ 90 p.s.i. - 40 c.p.m.	81 db(A) ^①

① The pump sound pressure level has been updated to an Equivalent Continuous Sound Level (L_{Aeq}) to meet the intent of ANSI S1. 13-1971, CAGI-PNEUROPS S5.1 using four microphone locations.

ACCESSORIES:

61113 Wall Mount Bracket



PERFORMANCE CURVES

