

# SALES & ENGINEERING DATA

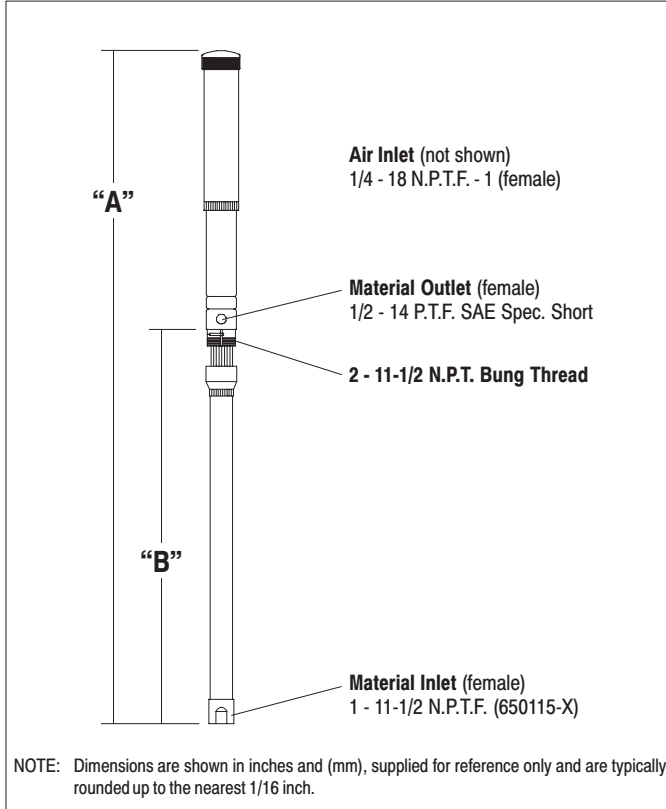
RATIO SERIES: **2:1**

FLUID P.S.I. MAXIMUM: **0 - 300**

## 65011X-X DIFFERENTIAL TRANSFER PUMP

RELEASED: 2-5-02  
REVISED: 11-23-04  
(REV. C) S-959

### DIMENSIONAL DATA



MODEL	"A" Inches (mm)	"B" Inches (mm)
650110-C	53-3/32" (1349)	33-13/16" (859)
650110-1C	52-3/32" (1349)	33-13/16" (859)
650115-C	41-1/16" (1043)	21-25/32" (553)
650115-1C	41-1/16" (1043)	21-25/32" (553)

### SPECIFICATIONS

#### CONSTRUCTION

Model Series (refer to option chart) . . . . . 65011X-(-)  
 Pump Type . . . . . Air Operated, Transfer Pump  
 Ratio . . . . . 2:1  
 Air Motor . . . . . 60702  
 Motor Repair Kit . . . . . 66098  
 Motor Diameter . . . . . 2" (5.08 cm)  
 Stroke . . . . . 6" (15.24 cm)  
 Air Inlet (female) . . . . . 1/4 - 18 N.P.T.F. - 1

#### Lower Pump End Series

model 650110-C . . . . . 66198  
 model 650110-1C . . . . . 66198-1  
 model 650115-C . . . . . 66200  
 model 650115-1C . . . . . 66200-1

#### Lower Pump Repair Kit

models 650110-C and 650115-C . . 637028  
 models 650110-1C and 650115-1C 637029

#### Packing Options:

65011X-C	Polyethylene (upper and lower)
65011X-1C	Teflon (upper and lower)

Material Inlet (female) (650115-X) . . 1 - 11-1/2 N.P.T.F.  
 Material Outlet (female) . . . . . 1/2 - 14 P.T.F. SAE Spec. Short

#### MATERIALS OF CONSTRUCTION

Outlet Body . . . . . Carbon Steel  
 Cylinder . . . . . Carbon Steel  
 Plunger . . . . . Carbon Steel  
 Lower Ball . . . . . Carbon Steel  
 Lower Seat . . . . . Carbon Steel  
 Inlet Body . . . . . Carbon Steel  
 Weight . . . . . 12 lbs (5.4 kgs)

#### PERFORMANCE

Maximum Air Inlet Pressure . . . . . 0 - 150 p.s.i. (0 - 10.3 bar)  
 Maximum Fluid Pressure . . . . . 0 - 300 p.s.i. (0 - 20.7 bar)  
 Maximum Rec'd Cycles / Minute . . . . 120  
 Displacement In<sup>3</sup> Per Cycle . . . . . 8.0  
 Volume / Cycle . . . . . 4.4 oz. (131 ml)  
 Cycles Per Gallon . . . . . 28.9  
 Noise Level @ 90 p.s.i. - 40 c.p.m. . . . 81 db(A)<sup>①</sup>

① The pump sound pressure level has been updated to an Equivalent Continuous Sound Level (L<sub>Aeq</sub>) to meet the intent of ANSI S1. 13-1971, CAGI-PNEUROP S5.1 using four microphone locations.

#### ACCESSORIES:

61113 Wall Mount Bracket

# PERFORMANCE CURVES

