

SALES & ENGINEERING DATA

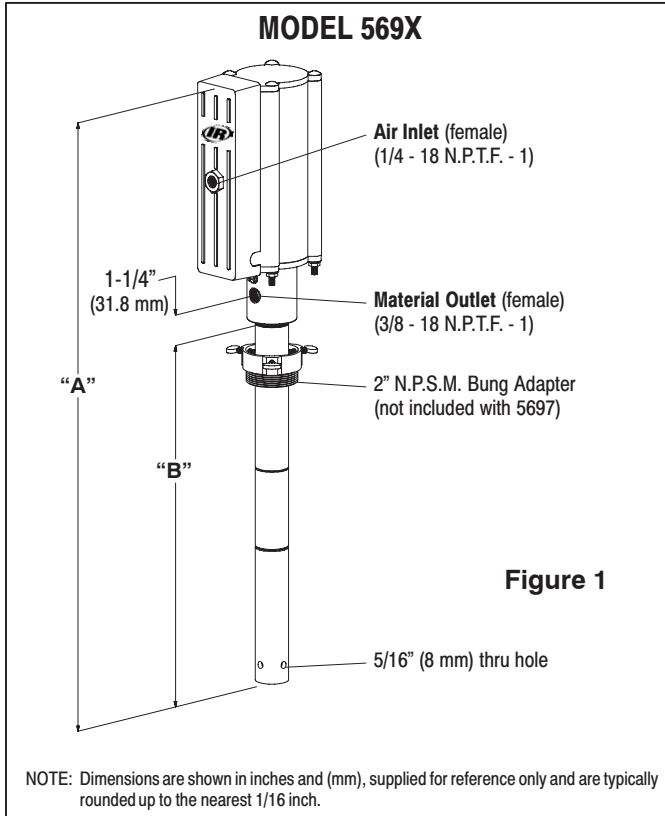
RATIO SERIES: **50:1**

FLUID P.S.I. RANGE: **0 - 7500**

5696, 5697, 5698, 5699 CHOP-CHECK GREASE PUMP

RELEASED: 2-3-03
REVISED: 8-10-04
(REV. 02) S-1268

DIMENSIONAL DATA



MODEL	"A" (mm)	"B" (mm)	WEIGHT (kg)
5696	27-3/4" (704.2)	16-9/16" (420.6)	18.0 lbs (8.16)
5697	30-1/2" (774.1)	19-5/16" (490.5)	19.0 lbs (8.62)
5698	38-7/16" (975.7)	27-1/4" (692.1)	21.9 lbs (9.94)
5699	48" (1218.6)	36-13/16" (935.0)	25.4 lbs (11.52)

SPECIFICATIONS

CONSTRUCTION

Model Series	569X
Pump Type	Air Operated, Chop-Check, Grease Pump
Ratio	50:1
Air Motor Diameter	3" (7.62 cm)
Stroke	3" (7.62 cm)
Air Inlet (female)	1/4 - 18 N.P.T.F. - 1
Material Outlet (female)	3/8 - 18 N.P.T.F. - 1
Pump Rebuild Kit	637386

MATERIALS OF CONSTRUCTION

Outlet Body	Carbon Steel
Cylinder	Carbon Steel
Plunger	Carbon Steel
Upper Packing	Polyurethane
Lower Packing	Nitrile
Inlet Body	Carbon Steel

PERFORMANCE

Air Inlet Pressure Range	0 - 150 p.s.i. (0 - 10.3 bar)
Fluid Pressure Range	0 - 7500 p.s.i. (0 - 517.2 bar)
Cycles / Minute Rec'd @ Working Flow	135
Maximum Delivery / Minute	7.5 lbs (3.4 kg)
Displacement In ³ Per Cycle	0.875
Volume / Cycle	0.48 oz. (14.33 ml)
Cycles Per Lb.	30
Noise Level @ 100 p.s.i.	85 db(A) ^①

^① The pump sound pressure level has been updated to an Equivalent Continuous Sound Level (L_{Aeq}) to meet the intent of ANSI S1. 13-1971, CAGI-PNEUROP S5.1 using four microphone locations.

ACCESSORIES:

- 61113 Wall Mount Bracket
- 66073-1 Air Line Connection Kit



PERFORMANCE CURVES

