

SALES & ENGINEERING DATA

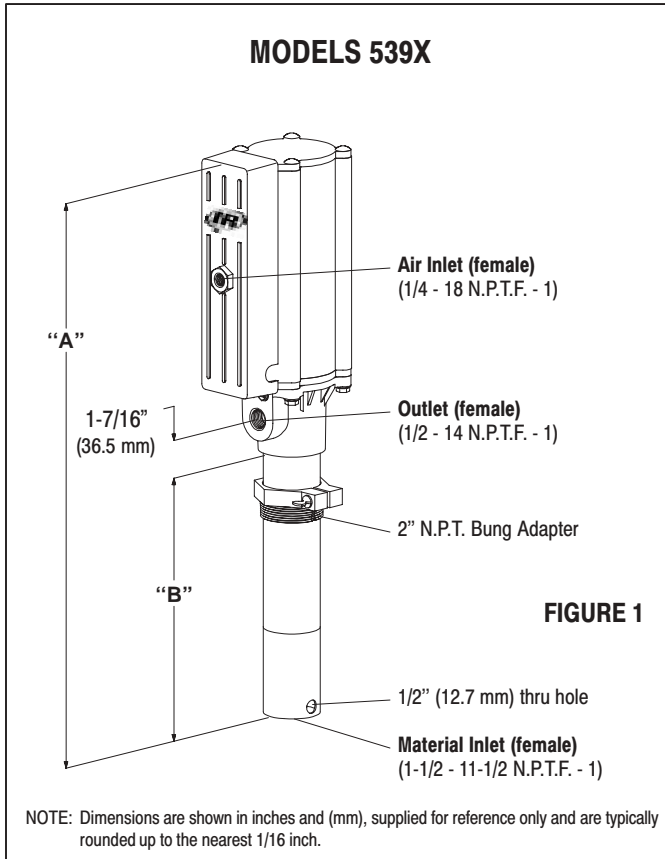
RATIO SERIES: **5:1**

FLUID P.S.I. RANGE: **0 - 750**

539X Two - Ball Pump

RELEASED: 1-31-03
REVISED: S-1266

DIMENSIONAL DATA



MODEL	"A" (mm)	"B" (mm)	WEIGHT (kg)
5390	21" (533.4)	9-3/4" (247.7)	15.75 (7.14)
5398	41-1/4" (1047.8)	30" (762)	24.3 (11.02)
5399	51" (1295.4)	39-3/4" (1009.7)	28.5 (12.93)

SPECIFICATIONS

CONSTRUCTION

Model Series	539X
Pump Type	Air Operated, Two-Ball, Double Acting Oil Pump
Ratio	5:1
Air Motor Diameter	3" (7.62 cm)
Stroke	3" (7.62 cm)
Air Inlet (female)	1/4 - 18 N.P.T.F. - 1
Material Inlet (female)	1-1/2 - 11-1/2 N.P.T.F. - 1
Material Outlet (female)	1/2 - 14 N.P.T.F. - 1
Pump Rebuild Kit	637384

MATERIALS OF CONSTRUCTION

Outlet Body	#3 Zinc
Cylinder	Aluminum
Plunger	Steel
Upper Packing	Polyurethane
Lower Packing	Polyurethane
Upper Seat	Steel
Lower Seat	Steel
Upper Ball	Steel
Lower Ball	Steel
Inlet Body	Steel

PERFORMANCE

Air Inlet Pressure Range	0 - 150 p.s.i. (0 - 10.3 bar)
Fluid Pressure Range	0 - 750 p.s.i. (0 - 51.7 bar)
Maximum Working Flow Rate	6 g.p.m. (34.1 l.p.m.)
Displacement / Cycle @ 100 p.s.i.	8.3 in. ³ (0.136 liters)
Cycles Per Gallon	28
Noise Level @ 100 p.s.i.	85 db(A) ^①

① The pump sound pressure level has been updated to an Equivalent Continuous Sound Level (L_{Aeq}) to meet the intent of ANSI S1. 13-1971, CAGI-PNEUROP S5.1 using four microphone locations.

ACCESSORIES:

- 61113 Wall Mount Bracket
- 66073-1 Air Line Connection Kit



PERFORMANCE CURVES

