

SALES & ENGINEERING DATA

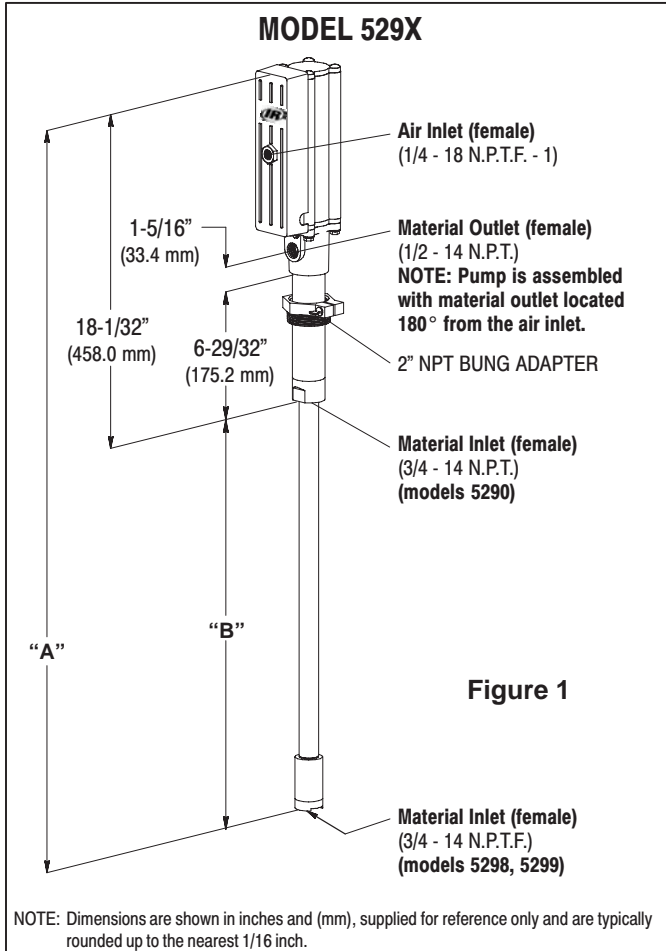
RATIO SERIES: **3:1**

FLUID P.S.I. RANGE: **0 - 450**

529X TWO - BALL PUMP

RELEASED: 1-31-03
 REVISED: 9-30-04
 (REV. 03) S-1269

DIMENSIONAL DATA



MODEL	"A" (mm)	"B" (mm)	WEIGHT (kg)
5290	N / A	N / A	11 (4.99)
5298	40-1/16" (1017.3)	22-1/32" (559.3)	13.5 (6.12)
5299	49-13/16" (1265.0)	31-25/32" (806.9)	14.4 (6.53)

SPECIFICATIONS

CONSTRUCTION

Model Series	529X
Pump Type	Air Operated, Two-Ball, Double Acting Oil Pump
Ratio	3:1
Air Motor Diameter	2" (5.08 cm)
Stroke	3" (7.62 cm)
Air Inlet (female)	1/4 - 18 N.P.T.F. - 1
Material Inlet (female)	3/4 - 14 N.P.T.
Material Outlet (female)	1/2 - 14 N.P.T.
Pump Rebuild Kit	637387

MATERIALS OF CONSTRUCTION

Outlet Body	#3 Zinc
Cylinder	Aluminum
Plunger	Steel
Upper Packing	Polyurethane
Lower Packing	Nitrile
Upper Ball	Steel
Upper Seat	Steel
Lower Ball	Steel
Lower Seat	Steel

PERFORMANCE

Air Inlet Pressure Range	0 - 150 p.s.i. (0 - 10.3 bar)
Fluid Pressure Range	0 - 450 p.s.i. (0 - 31.0 bar)
Maximum Working Flow Rate	6 g.p.m. (23 l.p.m.)
Displacement In ³ Per Cycle	6.2
Cycles Per Gallon (Liter)	37 (9.8)
Noise Level @ 100 p.s.i.	80 db(A) ^①

① The pump sound pressure level has been updated to an Equivalent Continuous Sound Level (L_{Aeq}) to meet the intent of ANSI S1.13-1971, CAGI-PNEUROPS 5.1 using four microphone locations.

ACCESSORIES:

61113 Wall Mount Bracket
 66073-1 Air Line Connection Kit



PERFORMANCE CURVES

