

OPERATOR'S MANUAL

NP409L01-X

INCLUDING: SPECIFICATIONS, PUMP DATA, SERVICE KITS
INCLUDE MANUALS: Refer to list below.

RELEASED: 4-9-99
REVISED: 9-22-00
(REV. A)

NP409L01-X DRUM MOUNTED TRANSFER SYSTEM

SERVICE KITS

- Use only genuine ARO® replacement parts to assure compatible pressure rating and longest service life.
- **61268** for repair of 65444-B air motor section.
- **637010-4** for repair of 65108-4 lower pump section.
637011 for replacement of lower ball check.
- **7102** for repair of H254SS-120-A valve.
116572 for repair of H254SS-120-A valve.
- **104181** for the repair of L26241-100 lubricator.
- **104179** for repair of P29241-100 filter / regulator.

SPECIFICATIONS

Model Series	NP409L01-X
System Type	Air Operated, Two Ball, Drum Mounted Pump
Basic Pump	650409-1
Ratio	9:1
Air Motor	65444-2-B
Motor Diameter	4-1/4" (10.8 cm)
Stroke (Double Acting)	4" (10.2 cm)
Air Inlet	1/2 - 14 n.p.t.f. - 1 (female)
Lower Pump End	65106-4
Material Inlet	1-1/4 - 11-1/2 n.p.s.m. (female)
Material Outlet	3/4 - 14 n.p.t.f. - 1 (female)
Weight (approximate)	176 lbs (79.8 kg)

PERFORMANCE

Air Inlet Pressure Range	0 - 150 p.s.i. (0 - 10.3 bar)
Fluid Pressure Range	0 - 1350 p.s.i. (0 - 93.1 bar)
Max. Rec'd Cycles / Minute	60
Displacement In ³ Per Cycle	11.0
Volume / Cycle	6.09 oz. (180.20 ml)
Cycles Per Gallon	21
Flow @ 60 Cycles / Minute	2.9 g.p.m. (10.8 l.p.m.)
Noise Level @ 60 p.s.i. - 40 c.p.m.	80.0 db(A)

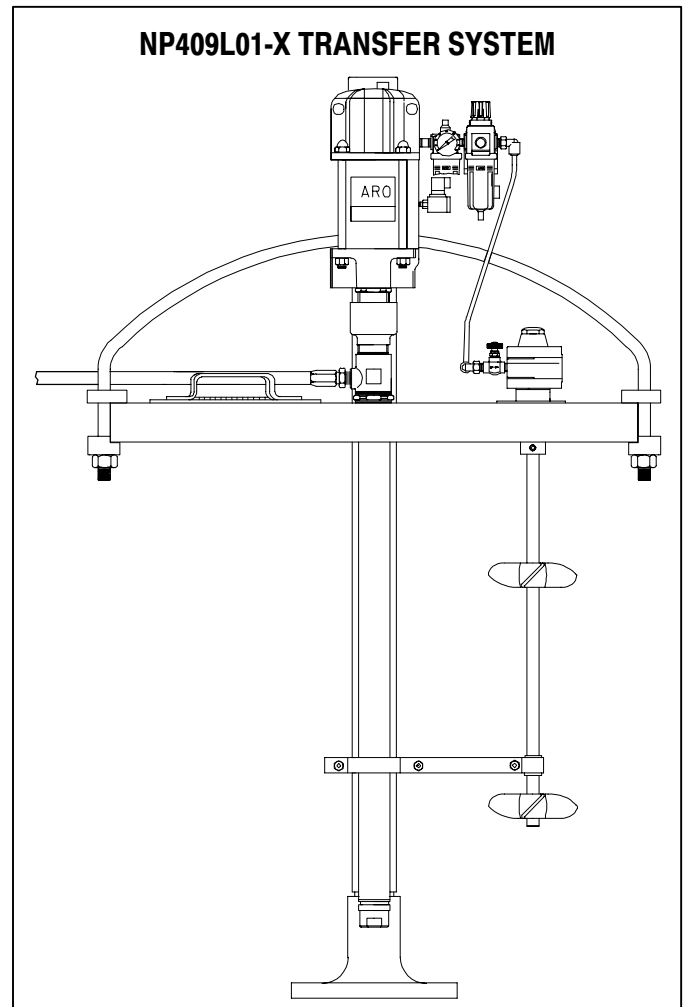
OPERATING AND SAFETY PRECAUTIONS

⚠ WARNING READ THE GENERAL INFORMATION MANUAL INCLUDED FOR OPERATING AND SAFETY PRECAUTIONS AND OTHER IMPORTANT INFORMATION.

GENERAL DESCRIPTION

This Transfer System includes pump, lift assembly and drum cover. It is intended for paint transfer spray applications.

PUMP DATA



OPERATOR'S MANUALS

IMPORTANT

Operator's Manuals: This is one of the eleven documents which support the various components of the system. Replacement copies are available upon request.

- NP409L01-X MODEL OPERATOR'S MANUAL
- 650409-X PUMP (97999-581)
- GENERAL INFORMATION - PUMPING SYSTEMS (97999-636)
- 65106-X LOWER PUMP END (97999-578)
- 6544X-X AIR MOTOR (97999-064)
- 66197 DRUM COVER (97999-165)
- 640067 PUMP LIFT (97999-455)
- 651103 AGITATOR (97999-114)
- L262X1-XXX LUBRICATOR (100400-007)
- P292X1-XXX PIGGYBACK FILTER / REGULATOR (100400-008)
- "H" SERIES VALVES (119999-37)



NP409L01-X PARTS LIST

ITEM	DESCRIPTION (Size in Inches)	QTY	PART NO.
1	Pump Assembly	(1)	650409-1
2	Muffler	(1)	91790-ZZ
3	Nipple (1/2 - 14 n.p.t. x 1-1/2" long)	(3)	Y27-54-C
4	Solenoid Connector	(2)	CDW
5	Lubricator	(1)	L26241-100
6	3-Way Valve	(1)	H254SS-120-A
7	Piggyback Filter / Regulator	(1)	P29241-100
8	Gauge (0 - 160 p.s.i.)	(1)	100067
9	Hose Adapter (1/8 n.p.t. male x 1/4 n.p.t. female)	(1)	32377
10	Switch	(1)	104196
11	Hose, Teflon Lined (3/4" i.d. x 10' long)	(1)	623600-10
12	Drum Cover Assembly	(1)	66197
13	Lift Assembly	(1)	640067

ITEM	DESCRIPTION (Size In Inches)	QTY	PART NO.
● 14	Button (not shown)	(3)	Y116-17-N
● 15	Button (not shown)	(1)	Y116-18-N
■ 16	Male Elbow (1/4 - 18 n.p.t. x .250" o.d. tube)	(2)	59756-156
★ 17	Tubing (.250" o.d. x 18" long)	(1)	59675-XXX
■ 18	Agitator	(1)	651104-1
■ 19	Adapter Clamp	(2)	94989
■ 20	Stirring Rod Guide Spool	(1)	83187
■ 21	Screw (5/16" - 18 x 5/8")	(3)	Y8-58-S
■ 22	Nut (5/16" - 18)	(3)	Y12-5-S
23	Elbow (1/4 - 18 n.p.t.)	(1)	Y43-2-C
●	Included on models NP409L01-1 only.		
■	Included on models NP409L01-2 only.		
★	Available in bulk quantities (100 feet) only.		

