

OPERATOR'S MANUAL

NM2318B-X-X

INCLUDING: SPECIFICATIONS, SERVICE KITS, GENERAL INFORMATION, PARTS, TROUBLESHOOTING
INCLUDE MANUAL: 67310-X-X LOWER PUMP END (PN 97999-1129), 6691X AIR MOTOR (PN 97999-748) & S-632 GENERAL INFORMATION (PN 97999-624)

RELEASED: 10-28-04
REVISED:
(REV. 01)

3" AIR MOTOR
18:1 RATIO
3" STROKE

NM2318B-13-X43

TWO BALL PUMP SERIES

STAINLESS STEEL



**READ THIS MANUAL CAREFULLY BEFORE INSTALLING,
OPERATING OR SERVICING THIS EQUIPMENT.**

It is the responsibility of the employer to place this information in the hands of the operator. Keep for future reference.

SERVICE KITS

- Use only genuine ARO® replacement parts to assure compatible pressure rating and longest service life.
- **637316** for repair of air motor section.
- **637394-X43** for repair of 67310-13-X43 lower pump section.

SPECIFICATIONS

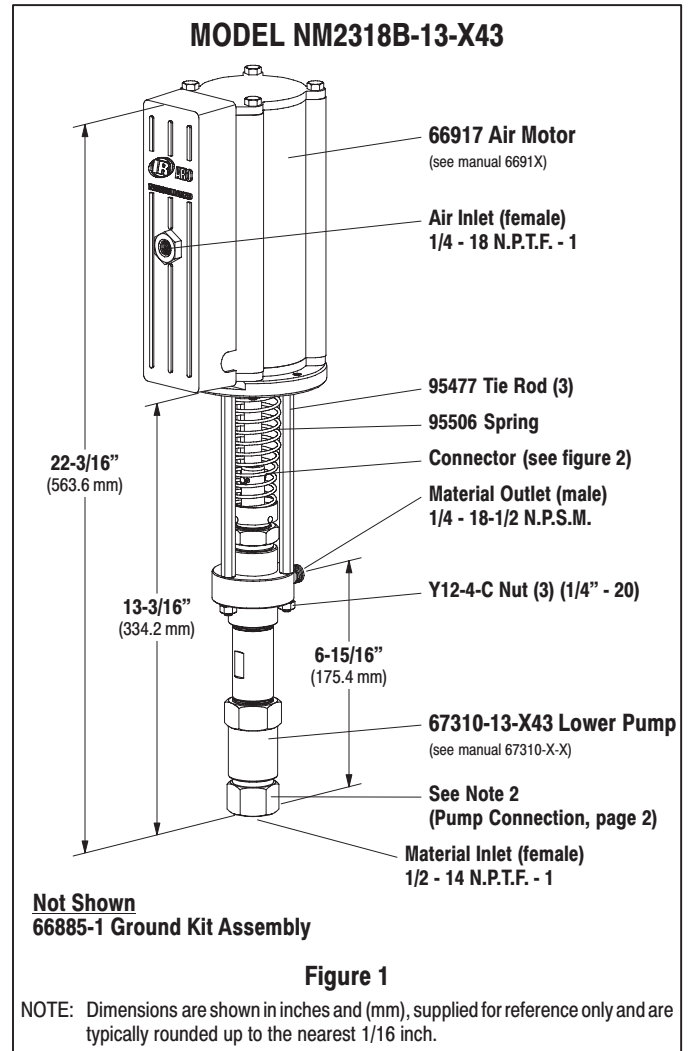
Model Series (refer to option chart)	NM2318B-13-X43
Type	Air Operated, Two Ball
Ratio	18:1
Air Motor	66917
Motor Repair Kit	637316
Motor Diameter	3" (7.62 cm)
Stroke (Double Acting)	3" (7.62 cm)
Air Inlet (female)	1/4 - 18 N.P.T.F. - 1
Lower Pump End Series	67310-X-X
models NM2318B-13-C43	67310-13-C43
models NM2318B-13-L43	67310-13-L43
Lower Pump End Repair Kit	
models NM2318B-13-C43	637394-C43
models NM2318B-13-L43	637394-L43
Material Inlet (female)	1/2 - 14 N.P.T.F. - 1
Material Outlet (male)	1/4 - 18-1/2 N.P.S.M.
Weight	12.63 lbs (5.7 kg)

PERFORMANCE

Air Inlet Pressure Range	0 - 150 p.s.i. (0 - 10.3 bar)
Fluid Pressure Range	0 - 2700 p.s.i. (0 - 186.2 bar)
Maximum Rec'd Cycles / Minute	120
Displacement In³ Per Cycle	2.35
Volume / Cycle	1.30 oz. (38.5 ml)
Cycles Per Gallon	98.3
Flow @ 60 Cycles / Minute	0.61 g.p.m. (2.3 l.p.m.)
Noise Level @ 100 p.s.i.	85 db(A) *
Accessories Available	95015 Wall Mount Bracket

* The pump sound pressure level has been updated to an Equivalent Continuous Sound Level (L_{Aeq}) to meet the intent of ANSI S1. 13-1971, CAGI-PNEUROP S5.1 using four microphone locations.

PUMP DATA



IMPORTANT

This is one of the four documents which support the pump. Replacement copies of these forms are available upon request.

- NM2318B-X-X Model Operator's Manual (pn 97999-1128)
- General Information - Air / Hydraulic Operated Industrial Piston Pumps (pn 97999-624)
- 67310-X-X Lower Pump End Operator's Manual (pn 97999-1129)
- 6691X Air Motor Operator's Manual (pn 97999-748)

PUMP OPTION DESCRIPTION CHART



CONTAINER SUITABILITY

1 - Universal (Stub)

PACKING MATERIAL

C - UHMW-PE (upper and lower)

L - Mineral filled Teflon (upper and lower)

SPRING ARRANGEMENT

4 - Multiple Wave Spring

PLUNGER TYPE

3 - Standard (400 series Stainless steel with hard chrome plating)

GENERAL DESCRIPTION

⚠ WARNING HAZARDOUS PRESSURE. Do not exceed maximum operating pressure of 2700 p.s.i. (186.2 bar) at 150 p.s.i. (10.3 bar) inlet air pressure.

**PUMP RATIO X
 INLET PRESSURE TO PUMP MOTOR = MAXIMUM PUMP
 FLUID PRESSURE**

Pump ratio is an expression of the relationship between the pump motor area and the lower pump end area. EXAMPLE: When 150 p.s.i. (10.3 bar) inlet pressure is supplied to the motor of a 4:1 ratio pump it will develop a maximum of 600 p.s.i. (41.4 bar) fluid pressure (at no flow) – as the fluid control is opened, the flow rate will increase as the motor cycle rate increases to keep up with the demand.

⚠ WARNING Refer to general information sheet for additional safety precautions and important information.

- The two-ball design provides for easy priming of the lower foot valve. The double acting feature is standard in all ARO industrial pumps. Material is delivered to the pump discharge outlet on both the up and down stroke.
- The motor is connected to the lower pump end with a spacer tube and solvent cup. This allows for lubrication of the upper packing gland and to prevent air motor contamination because of normal wear and eventual leakage through the material packing gland.

TROUBLE SHOOTING

Pump problems can occur in either the air motor section or the lower pump end section. Use these basic guidelines to help determine which section is affected. Be sure to eliminate any possible non-pump problems before suspecting pump malfunction.

Pump will not cycle.

- No pressure to the motor. See motor manual.
- Restricted return lines. Clean obstruction.
- Damaged motor. Service motor.

No material at the outlet (pump continually cycles).

- Check the material supply, disconnect or shut off the air supply and replenish the material, reconnect.

Material on one stroke only (fast downstroke).

- The lower check may not be seating in the foot valve (see lower pump disassembly). Remove the check from the foot valve, clean and inspect the valve seat area. If check or foot valve are damaged, replace.

Material on one stroke only (fast upstroke).

- The middle packings may be worn (see lower pump disassembly). Replace the seals as necessary.

Material leakage out of the solvent cup or material appears on the pump plunger rod.

- Tighten the solvent cup until leakage discontinues. If this procedure does not aid in stopping the leakage problem, the upper packings may be worn (see lower pump disassembly). Replace the seals as necessary.

PUMP CONNECTION – UPPER / LOWER

DISASSEMBLY

NOTE: All threads are right hand.

NOTE 2: When disassembling lower pump end from pump, use a wrench on the flats of (12) tube, (23) inlet body and (29) seat body to prevent from twisting and damaging the tie rods (see Operator's Manual 67310-X-X, p/n 97999-1129 for lower pump end item numbers).

1. Lay the pump assembly on a workbench.
2. Remove the three nuts from the three tie rods (figure 1).
3. Pull the air motor from the lower end until the motor piston rod is in the "down" position and the lower pump end plunger is in the "up" position.
4. Remove the cotter pin and pin, releasing motor piston rod from lower pump end plunger.

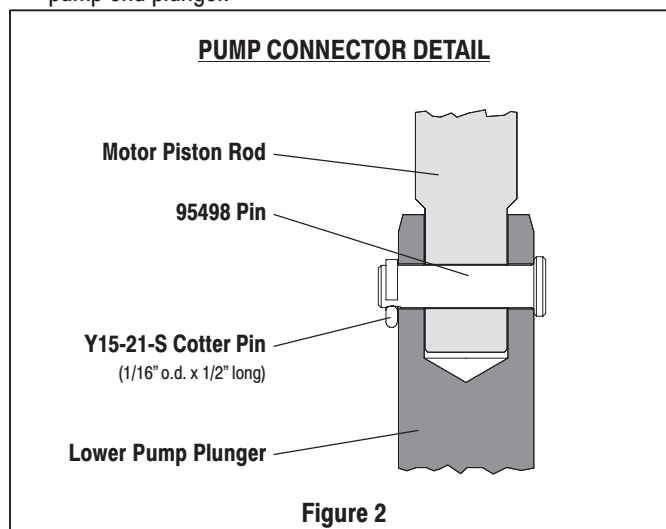


Figure 2

REASSEMBLY

1. Assemble lower pump end plunger to motor piston rod, aligning through holes.
2. Assemble pin through hole, securing rods.
3. Assemble cotter pin through pin.
4. Rotate the lower pump end so the material outlet is 180° from the motor air inlet.
5. Assemble the tie rods to the lower pump end.
6. Retain with three nuts.