

## 67075-X-B CART / LIFT

For use with 5 gallon and metric tapered or straight pails.



**READ THIS MANUAL CAREFULLY BEFORE INSTALLING,  
OPERATING OR SERVICING THIS EQUIPMENT.**

It is the responsibility of the employer to place this information in the hands of the operator. Keep for future reference.

### GENERAL DESCRIPTION

The ARO model 67075-X-B cart / lift uses an air-powered cylinder which is used to raise and lower a fluid handling pump and follower in and out of a standard 5 gallon or metric pail.

When properly secured, this unit has the ability to raise a pump to clear a standard 5 gallon or metric pail. The operator is then able to easily remove the drum.

The cart / lift needle valve controls the air necessary to raise and lower the lift. This unit includes an auxiliary manual air valve which is used to supply a controlled amount of air pressure to the bottom of the follower plate. When the control valve is in the "up" position, a small amount of air pressure applied under the follower plate will help to raise the follower plate, pump and lift by relieving the vacuum (see page 4).

#### IMPORTANT

**This is one of the two documents which support the system. Replacement copies of these forms are available upon request.**

67075-X-B Model Operator's Manual (pn 97999-1018)

General Information - Air Operated Lifts and Rams (pn 97999-635)

### OPERATING AND SAFETY PRECAUTIONS

**⚠ WARNING READ THE GENERAL INFORMATION MANUAL INCLUDED FOR OPERATING AND SAFETY PRECAUTIONS AND OTHER IMPORTANT INFORMATION.**

**⚠ WARNING DO NOT EXCEED MAXIMUM INLET AIR PRESSURE OF 160 P.S.I. (11 BAR).**

### CART / LIFT INSTALLATION

1. Establish the desired location for the cart / lift and pay special attention to the work area above. This area above the cart / lift must be open, without obstructions and safely away from electrical devices.
2. Place the pump on the follower plate and align the pump and follower plate on the base and assemble the pump to the mounting bracket on the lift. An optional 91364-10 follower seal protector is available, which is placed on top of the new container.
3. Assemble air hose to the air inlet.

NOTE: The cart / lift has been tested at the factory. The unit should be generally checked over for leakage because the fittings on the system may have loosened during shipping.

### PUMP DATA

#### MODEL 67075-B

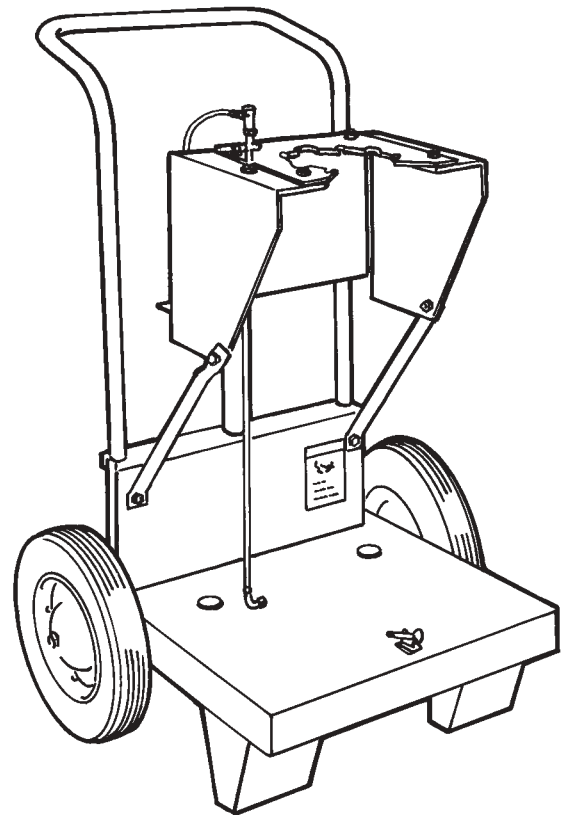


Figure 1

## PARTS LIST

Item	Description (size in inches)	Qty	Part No.
1	Nipple (1/4 - 18 N.P.T.)	(1)	1950
2	Bracket	(1)	94859
3	Tubing 67075-B (1/4" o.d. x 16")	(1)	59675-( )●
	67075-1-B (1/4" o.d. x 13")	(1)	59675-( )●
4	Needle Valve (1/4 - 18 N.P.T.F. SAE short)	(1)	104104-N02
5	Connector (1/4 - 18 N.P.T. x 1/4" o.d. tube)	(1)	59474-156
6	Cap Screw (3/8" - 16 x 3/4")	(2)	Y6-63-C
7	Lock Washer (3/8")	(2)	Y117-616
8	Nut (3/8" - 16)	(2)	Y12-6-C
9	Guide Tube	(2)	75826
10	Brace	(1)	75836
11	Handle	(1)	75824-3
12	Wheel (3" x 12" o.d.)	(2)	75823
13	Base Welding Assembly	(1)	65735-1
14	Cotter Pin (3/32" o.d. x 1/2")	(2)	Y15-31-C
15	Retaining Pin	(2)	75834
16	Cotter Pin (3/32" o.d. x 1")	(2)	Y15-33-C
17	Washer (49/64" i.d. x 1-1/4" o.d. x 1/16")	(2)	F15-9-C
18	Spacer (49/64" i.d. x 1" o.d. x 3/16")	(2)	75833
19	Axle	(1)	75832
20	Right Arm	(1)	75818-2
21	Bracket	(1)	94858
22	Adapter Plate models 67075-B	(1)	91396
	models 67075-1-B	(1)	91395
23	Left Arm	(1)	75819-2
24	Cap Screw (1/4" - 20 x 5/8")	(4)	Y6-42-C
25	Washer (1/4")	(4)	Y13-4-C
26	Nut (1/4" - 20)	(4)	Y12-4-C
27	Tubing 67075-B (5/16" o.d. x 24-9/16")	(1)	94980-( )■
	67075-1-B (5/16" o.d. x 16")	(1)	94980-( )■
28	Cap Screw (3/8" - 16 x 1")	(2)	Y6-65-C
29	Lock Washer (3/8")	(2)	Y117-616
30	Nut (3/8" - 16)	(2)	Y12-6-C
31	Cap Screw (3/8" - 16 x 3/4")	(2)	Y6-63-C

Item	Description (size in inches)	Qty	Part No.
32	Lock Washer (3/8")	(2)	Y117-616
33	Nut (3/8" - 16)	(2)	Y12-6-C
34	Thumb Screw (3/8" - 16 x 1-1/2")	(1)	Y66-378-C
35	Bucket Stop	(2)	90419
36	Lock Washer (3/8")	(2)	Y14-616-C
37	Nut (3/8" - 16)	(3)	Y12-6-C
38	Guide Spacer	(1)	75820
39	Tee (1/8 - 27 N.P.T.)	(1)	Y216-1
40	Connector (1/8 - 27 N.P.T. x 1/4" o.d. tube)	(1)	59474-56
41	Shut-Off Valve (1/8 - 27 N.P.T. male)	(1)	Y28-2
42	Fitting	(1)	93973
43	Lock Washer (5/8")	(1)	Y1-962-C
44	Nut (5/8" - 18)	(1)	Y11-10-C
45	Lift Cap	(1)	90071
46	Washer	(1)	90140
47	Fixed Lift Piston	(1)	75837
48	"O" Ring (1/8" x 1-5/8" o.d.)	(1)	Y325-220
49	Bumper Washer	(1)	90469
50	Lift Tube	(1)	90073-1
51	Lift Post	(1)	90072-1
52	Lift Tube Guide	(1)	75831
53	Washer	(1)	72399
54	Lock Washer (3/4")	(1)	Y14-750
55	Nut (3/4" - 16)	(1)	Y11-12-C
56	Bolt (3/8" - 16 x 1")	(2)	Y84-601-C
57	Lock Washer (3/8")	(1)	Y117-616
58	Bracket Assembly	(1)	67182
59	Connector (1/8 - 27 N.P.T. x 5/16" o.d. tube)	(1)	59474-58
60	Cap Screw (3/8" - 16 x 7/8")	(2)	Y6-64-C
61	Washer (3/8")	(4)	Y13-6-C
62	Lock Washer (3/8")	(2)	Y117-616
63	Nut (3/8" - 16)	(2)	Y12-6-C
●	Bulk Tubing (1/4" o.d. x 100')		59675-XXX-X
■	Bulk Tubing (5/16" o.d. x 100')		94980-XXX-X

★ Apply Loctite 271 to threads.

◇ Apply anaerobic pipe thread sealant to threads.

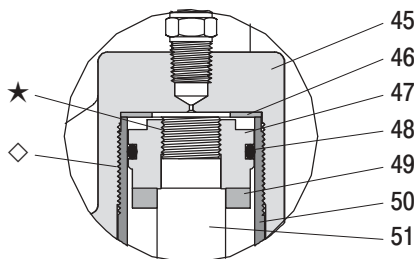


Figure 2

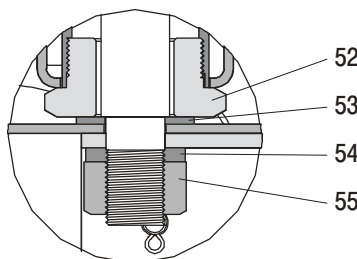


Figure 3

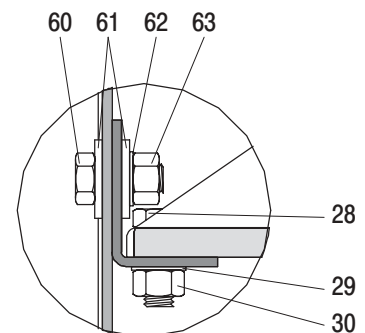
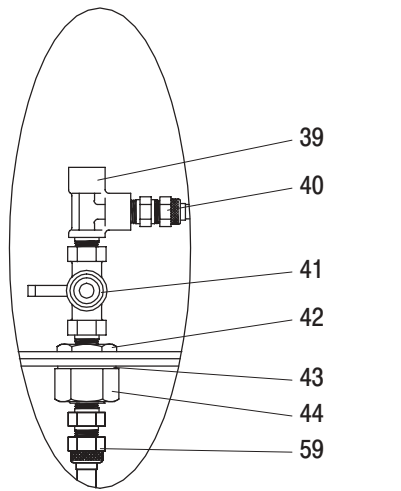
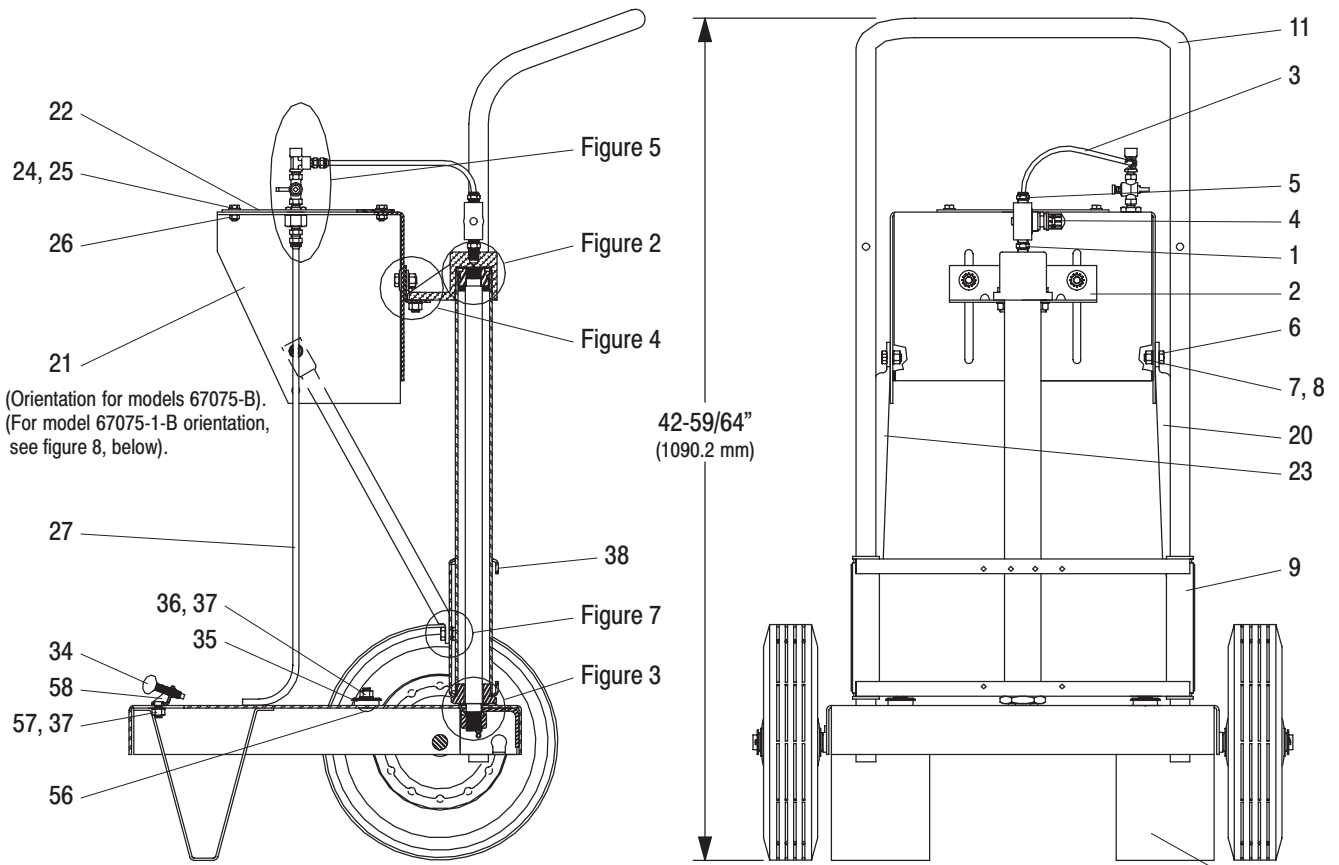
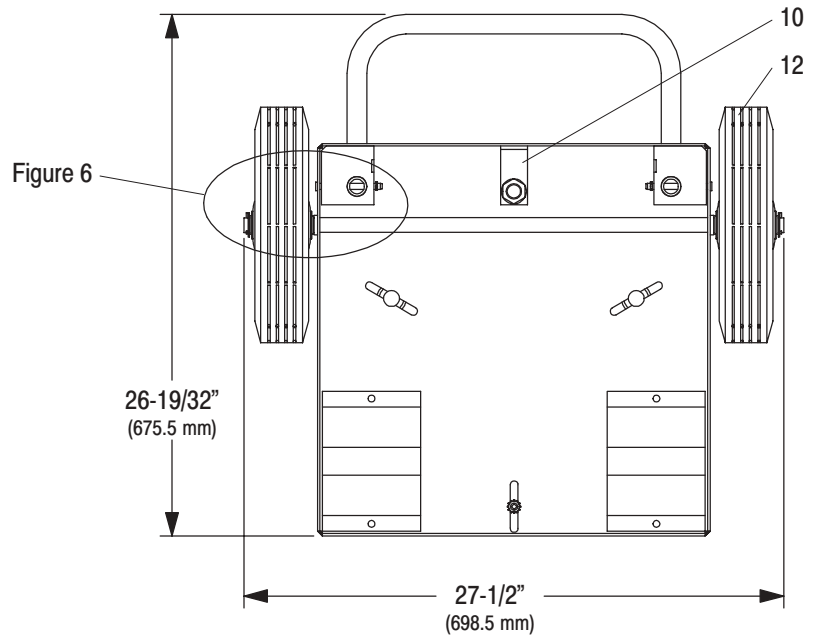


Figure 4

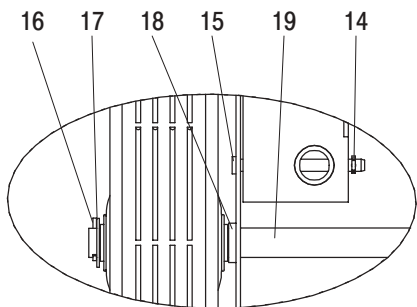
# PARTS LIST



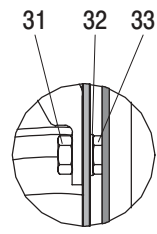
**Figure 5**



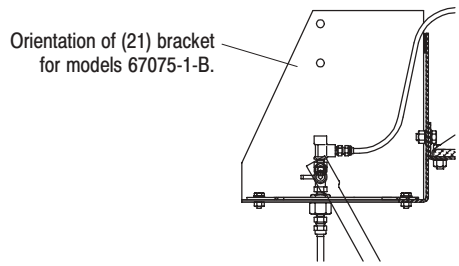
**Figure 6**



**Figure 7**



**Figure 8**



**Figure 9**

# OPERATING INSTRUCTIONS

causing injury. Keep hands clear when aligning with container.

**NOTE:** Be certain the Follower Plate vent plug has been removed so that the air trapped between the follower and the material is allowed to escape from this vent. Captured air between the follower plate and drum will escape.

**NOTE:** The lift may hesitate momentarily before starting downward. The air pressure inside the post air chamber must decrease before it will begin to descend.

1. Disconnect air line from the lift air inlet. Adjust (turn needle valve knob counter-clockwise) needle valve to lower the pump end into drum.
2. Replace the vent plug once the material begins to ooze from the vent opening.
3. Adjust (turn pump air regulator knob counter-clockwise to prevent over pressurization of pump) knob on pump air regulator.
4. Connect air line to pump air regulator and adjust (turn pump air regulator clockwise) air until pump begins to cycle.
5. Trigger gun to prime pump with material.

### TO RAISE LIFT, (NORMAL OPERATION):

1. Disconnect air line from pump air regulator and connect to lift air inlet. Adjust the follower plate air valve pressure up to approximately 8 p.s.i.g. (0.55 bar). **DO NO OVERPRESSURIZE THE DRUM** to avoid damage. **NOTE:** Air from this valve will only pass when the unit is being raised.
2. Adjust (turn needle valve knob counter-clockwise) air pressure on lift.
3. Raise the lift high enough to clear the height of the drum. Stop the lift's upward travel by adjusting needle valve knob counter-clockwise.

### TO CHANGE DRUM:

**NOTE:** The needle valve knob should be turned clockwise to hold lift in the "UP" position.

1. Unscrew thumb screw and remove old 5 gallon or metric pail.
2. Place and center a new pail into position. Remove cover. Tighten thumb screw.

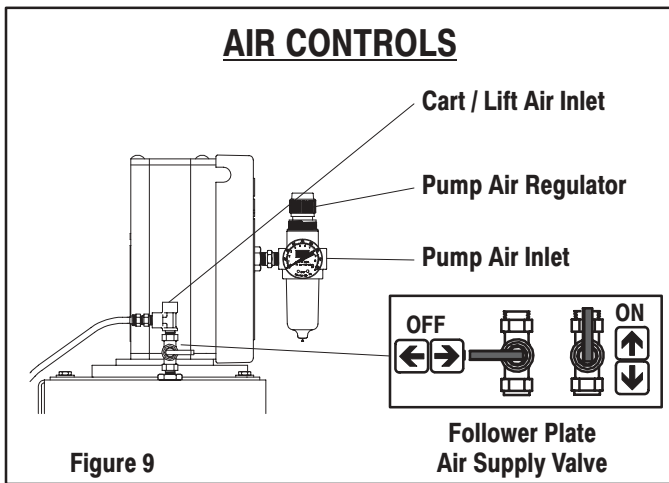


Figure 9

### TO RAISE LIFT:

1. Adjust (turn needle valve knob counter-clockwise) air pressure to lift. Connect the air supply (160 p.s.i. max.) to the air inlet.
2. Raise the lift high enough to clear the height of the drum. Stop the lift's upward travel by adjusting (turn needle valve clockwise until tight) needle valve.

### REFER TO PAGE 3:

1. Once lift assembly and pump are in the "UP" position, place and center an opened 5 gallon or metric pail of material on the lift base. Use the stops on the base to center the pail. Tighten thumb screw to secure pail.
2. Lubricate lower follower wiper plate seal with grease. **NOTE:** Make certain the grease is compatible with the material being dispensed. This ensures a smooth fit into the pail as well as prevents curing type compounds from bonding to seal.
3. Check vent plug on follower plate to be sure it easily threads in and out. It is recommended to lubricate the threads of the plug to help prevent possible set up of compound at this point. **See 65184X-X Follower Plate Operator's Manual.**

### TO LOWER LIFT:

**⚠ WARNING** PINCH HAZARD. Follower can descend quickly

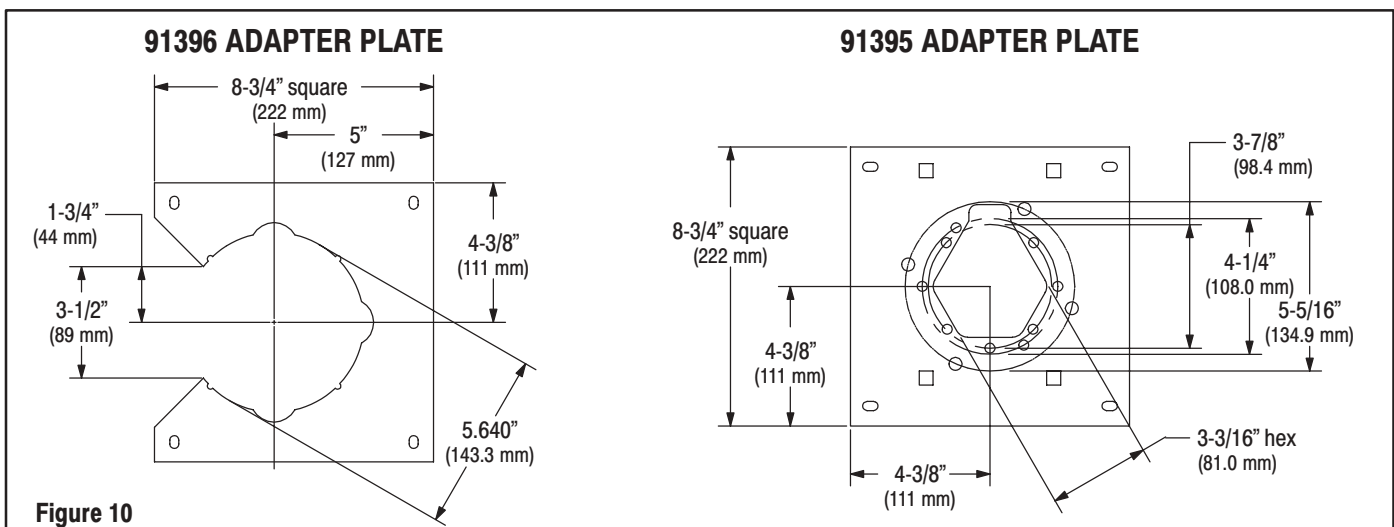


Figure 10