

RELEASED: 2-13-78
REVISED: 10-6-00
(REV. B)

HEAVY-DUTY CARTS

66554-1
(For 4-1/4" and 6" Pumps)

66554-2
(For 8" and 10" Pumps)



**READ THIS MANUAL CAREFULLY BEFORE INSTALLING,
OPERATING OR SERVICING THIS EQUIPMENT.**

It is the responsibility of the employer to place this information in the hands of the operator. Keep for future reference.



ASSEMBLY INSTRUCTIONS

1. Insert (4) leg (left) and (8) axle into (3) cart frame as shown in view.
2. Align the holes on the (4) leg and (8) axle to insert (7) cap screw thru (3) cart frame. Attach (11) flat washer, (12) lockwasher and (13) nut.

NOTE: Two position holes are located in (8) axle to facilitate optional wheel spacing. Maximum wheel spacing is for stability.

3. Place two (9) washers onto (8) axle with (1) wheel.
4. Attach (10) retaining ring to groove in (8) axle.
5. Repeat steps 1 thru 4 to attach (2) leg (right) and (1) wheel to (3) cart frame.

6. Attach (23) or (17) bracket to (3) cart frame using two (16) cap screws, (11) flat washers, (12) lockwashers and (13) nuts.

NOTE: Select a set of holes that will give pump, that will be used, desired clearance with floor.

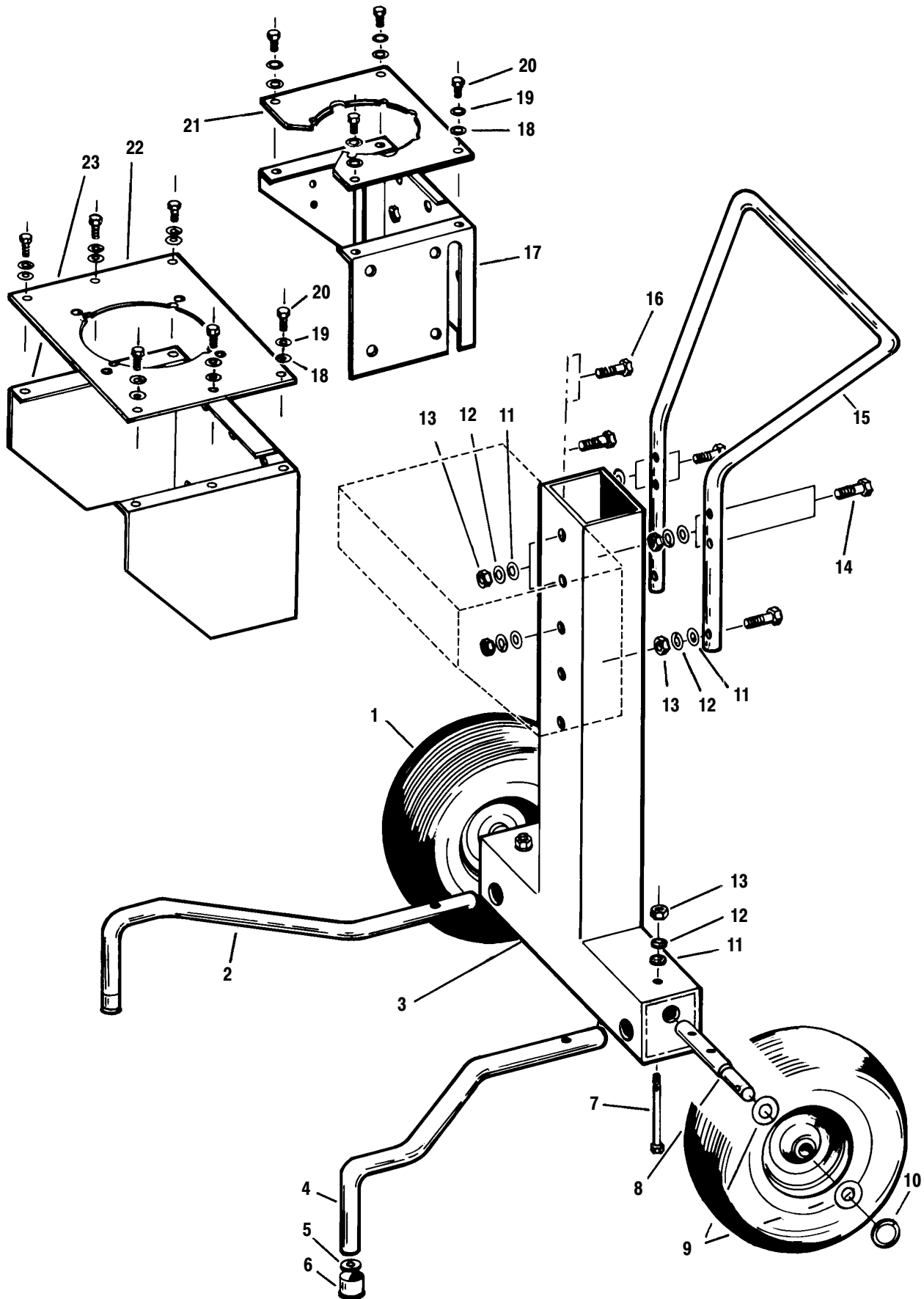
7. Attach (15) handle to (23) or (17) bracket using four (14) cap screws, (11) flat washers, (12) lockwashers and (13) nuts.
8. Mount (21) or (22) plate on pump to be used. Then place on (23) or (17) bracket and fasten using (20) cap screws, (19) lockwashers and (18) flat washers.

PARTS LIST

ITEM	DESCRIPTION (Size in Inches)	QTY	PART NO.
1	Wheel	(2)	91515
2	Leg (right)	(1)	99306
3	Cart Frame	(1)	66555
4	Leg (left)	(1)	99305
5	Washer	(2)	70607
6	Plastic Cap	(2)	77366
7	Screw, Cap (1/2" - 13 x 5")	(2)	Y6-819-C
8	Axle	(2)	99304
9	Washer	(4)	91522
10	Retaining Ring	(2)	99310
11	Washer, Flat	(8)	F15-27-C
12	Lockwasher (1/2")	(8)	Y14-816
13	Nut (1/2" - 13)	(8)	Y12-8-C
14	Screw, Cap (1/2" - 13 x 2")	(4)	Y6-89-C
15	Handle	(1)	99303
16	Screw, Cap (1/2" - 13 x 1")	(2)	Y6-85-C

ITEM	DESCRIPTION (Size in Inches)	QTY	PART NO.
17	Bracket (model 66554-1 only)	(1)	66367
18	Washer, Flat (1/4") (model 66554-1 only)	(4)	Y13-4-C
	(model 66554-2 only)	(6)	Y13-4-C
19	Lockwasher (1/4") (model 66554-1 only)	(4)	Y14-416
	(model 66554-2 only)	(6)	Y14-416
20	Screw, Cap (1/4" - 20 x 5/8") (66554-1)	(4)	Y6-42-C
	(model 66554-2 only)	(6)	Y6-42-C
21	Plate (model 66554-1 only)	(1)	91396
22	Plate (model 66554-2 only)	(1)	92371
23	Bracket (model 66554-2 only)	(1)	66543
* 24	Cap Screw (3/8" - 16 x 1-1/2")	(4)	Y6-67-C
* 25	Nut (3/8" - 16) (model 66554-1 only)	(4)	Y12-6-C
* 26	Nut (3/8" - 16) (model 66554-2 only)	(4)	Y12-106-C
* 27	Washer (3/8") (model 66554-2 only)	(4)	Y13-6-C
* 28	Lockwasher (3/8")	(4)	Y14-616
*	Included but not shown		

PARTS LIST



CART DIMENSION DATA

