

# OPERATOR'S MANUAL

# 650549-X

INCLUDING: OPERATION, INSTALLATION & MAINTENANCE

INCLUDE MANUALS: 65142X-X MATERIAL FILTER (PN 97999-006), P292X1-XXX PIGGYBACK FILTER / REGULATOR (PN 100400-008) & S-636 GENERAL INFORMATION MANUAL (PN 97999-636).

RELEASED: 8-20-99  
REVISED: 1-28-00  
(REV. A)

## 650549-X AIR ASSIST PUMP PACKAGE STAINLESS STEEL



**READ THIS MANUAL CAREFULLY BEFORE INSTALLING,  
OPERATING OR SERVICING THIS EQUIPMENT.**

It is the responsibility of the employer to place this information in the hands of the operator. Keep for future reference.

### SERVICE KITS

- Use only genuine ARO® replacement parts to assure compatible pressure rating and longest service life.
- **104179** for repair of P29241-110 filter / regulator.

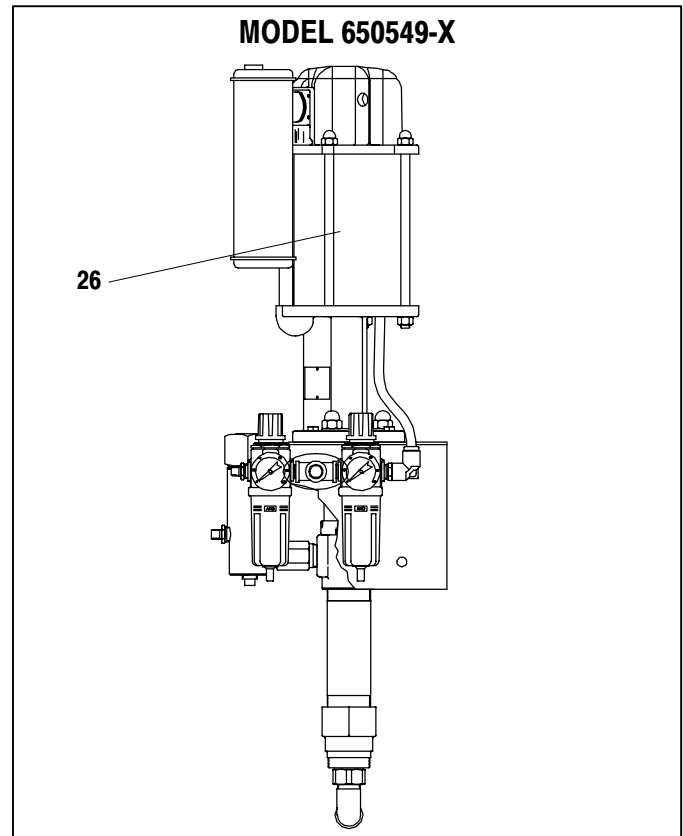
### SPECIFICATIONS

<b>Pump Model Series</b>		
	650549-1, -2, -4	65048X-R43
	650549-3, -5, -6	65068X-R43
<b>Type</b>		Air Operated, 2-Ball, Double Acting Pump
<b>Air Motor</b>	650549-1, -2, -4	65465-B
	650549-3, -5, -6	65665-B
<b>Motor Diameter</b>	65465-B	4-1/4" (10.8 cm)
	65665-B	6" (15.2 cm)
<b>Motor Repair Kit</b>	4-1/4"	61268
	6"	61355
<b>Stroke</b>		6" (15.2 cm)
<b>Air Inlet</b>		1/2 - 14 N.P.T.F. - 1(f)
<b>Air Exhaust</b>		1-1/4" - 11-1/2 N.P.T.F. - 1 (f)
<b>Lower Pump End Series</b>		see chart
<b>Lower Pump Repair Kit</b>		see chart
<b>Material Outlet</b>		3/8" - 18 N.P.T. - 1 (male)

### PERFORMANCE

For performance data, refer to the 65048X-X or 65068X-X pump model operator's manual.

### PUMP DATA



### IMPORTANT

This is one of the seven documents which support the pump. Replacement copies of these forms are available upon request.

- 650549-X MODEL OPERATOR'S MANUAL
- GENERAL INFORMATION - PUMPING SYSTEMS
- 650X8X-X PUMP OPERATOR'S MANUAL (refer to chart)
- LOWER PUMP END OPERATOR'S MANUAL (refer to chart)
- AIR MOTOR OPERATOR'S MANUAL (refer to chart)
- 65142X-X MATERIAL FILTER OPERATOR'S MANUAL
- P292X1-XXX PIGGYBACK FILTER / REG. OPERATOR'S MANUAL

### OPERATING AND SAFETY PRECAUTIONS

**⚠ WARNING** READ THE GENERAL INFORMATION MANUAL INCLUDED FOR OPERATING AND SAFETY PRECAUTIONS AND OTHER IMPORTANT INFORMATION.

PUMP PACKAGE	(26) PUMP MODEL NO.	PUMP MANUAL NO.	AIR MOTOR	AIR MOTOR MANUAL NO.	LOWER PUMP END	LOWER PUMP END MANUAL NO.	LOWER PUMP REPAIR KIT
650549-1	650483-R43	97999-652	65465-B	97999-064	66300-R43	97999-646	637305-R43
650549-2	650484-R43	97999-653	65465-B	97999-064	66301-R43	97999-647	637306-R43
650549-3	650683-R43	97999-655	65665-B	97999-174	66300-R43	97999-646	637305-R43
650549-4	650485-R43	97999-654	65465-B	97999-064	66302-R43	97999-648	637307-R43
650549-5	650684-R43	97999-656	65665-B	97999-174	66301-R43	97999-647	637306-R43
650549-6	650685-R43	97999-657	65665-B	97999-174	66302-R43	97999-648	637307-R43



INGERSOLL-RAND COMPANY  
P.O. BOX 151 • ONE ARO CENTER • BRYAN, OHIO 43506-0151  
☎ (419) 636-4242 • FAX (419) 633-1674

©2000 • PRINTED IN U.S.A.

## INGERSOLL-RAND FLUID PRODUCTS

## 650549-X PARTS LIST

ITEM	DESCRIPTION (Size in Inches)	QTY	PART NO.
1	Muffler	(1)	91790
2	Male Elbow (1/2" N.P.T. th'd x 1/2" o.d. tube)	(2)	59756-362
3	Wall Mounting Bracket Assembly	(1)	66367
4	Adapter Plate	(1)	91396
5	Cap Screw (1/4" - 20 x 5/8")	(4)	Y6-42-C
6	Washer (5/16" i.d.)	(4)	Y13-4-C
7	Lock Washer (1/4")	(4)	Y14-416
8	Cap Screw (3/8" - 16 x 1-1/4")	(4)	Y6-66-C
9	Washer (7/16" i.d.)	(4)	Y13-6-C
10	Lock Washer (3/8")	(4)	Y14-616
11	Nut (3/8" - 16)	(4)	Y12-6-C
12	Adapter (3/8" - 16 x 1/2" - 14 N.P.T.F. - 1)	(1)	95096
13	Lock Washer (3/8")	(1)	Y14-616

ITEM	DESCRIPTION (Size In Inches)	QTY	PART NO.
14	Cap Screw (3/8" - 16 x 1")	(1)	Y6-65-C
15	Washer (7/16" i.d.)	(2)	Y13-6-C
16	Street Elbow (1" - 11-1/2 N.P.T.)	(1)	92273
17	Gauge (0 - 160 p.s.i.)	(2)	100091
18	Material Filter	(1)	651422-100
19	Adapter (3/8" - 18 N.P.T. x 1/2" - 14 N.P.T.)	(2)	94985
20	Piggyback Filter / Regulator Combo	(2)	P29241-110
21	Adapter (1/2" - 14 N.P.T.F. - 1 x 1" - 1-1/2 N.P.T.F. - 1)	(1)	94256
22	● Tubing (1/2" o.d. x 25" long)	(1)	94978-XXX
23	Nipple (1/2" - 14 N.P.T. x 1-1/8" long)	(2)	Y27-4-C
24	Cross Pipe Fitting (1/2" - 14 N.P.T.)	(1)	95083424
25	Two-Ball Pump	(1)	See page 1

● Tubing is available in bulk quantities only.

