

## SINGLE POST LIFT (FOR USE WITH 120 LB DRUMS)



**READ THIS MANUAL CAREFULLY BEFORE INSTALLING,  
OPERATING OR SERVICING THIS EQUIPMENT.**

It is the responsibility of the employer to place this information in the hands of the operator. Keep for future reference.

### INSTALLATION INSTRUCTIONS

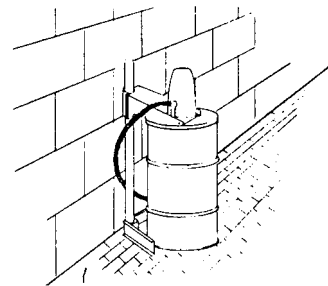
1. Bolt the base legs to the lift tube base.
2. Locate the position on the floor. It is suggested that there be 3" to 6" spacing between lifts and approximately 2" from the wall.
3. Mark four location holes of the base legs on the floor, remove the legs and lift tube and drill four holes. NOTE: Drill holes for 5/16" diameter x 1-1/2" long lag screws.
4. Relocate and secure in position with lag screws.
5. Install the 94764 pump support and 94420 drum cover on the pump, using the bung adapter.
6. Place the pump, with the pump support, on the lift tube, securing with the two 71231 clamps, four Y6-55-C screws, four Y14-516 washers and four Y12-5-C nuts.
7. Connect the material hose to the pump outlet.

NOTE: The location of clamp sections on the lift tube must be adjusted after the lubricant drum is located in position.

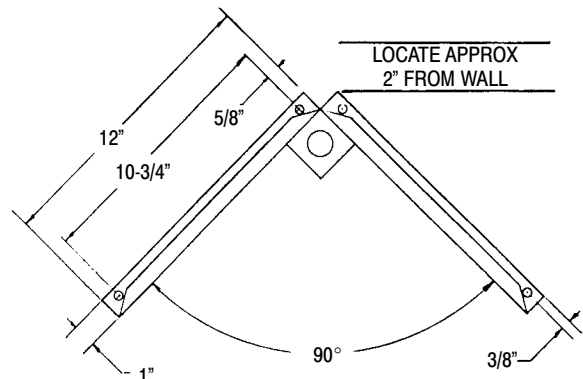
### OPERATING HINTS

1. Using the pump operating air line, attach a speed coupler on the lift for raising. With the lift elevated in position, an occasional oiling of the 71218 inner lift tube will assure long life and free action.
2. For lowering, remove the air line and the air line restrictor gives a slow, safe drop into position.

### PUMP LIFT INSTALLATION DETAIL



INSTALLED UNIT



Use 5/16" diameter x 1-1/2" long lag screws to mount to the floor.

**PARTS LIST / 640225**

