

SALES & ENGINEERING DATA

RATIO SERIES: **1:1**

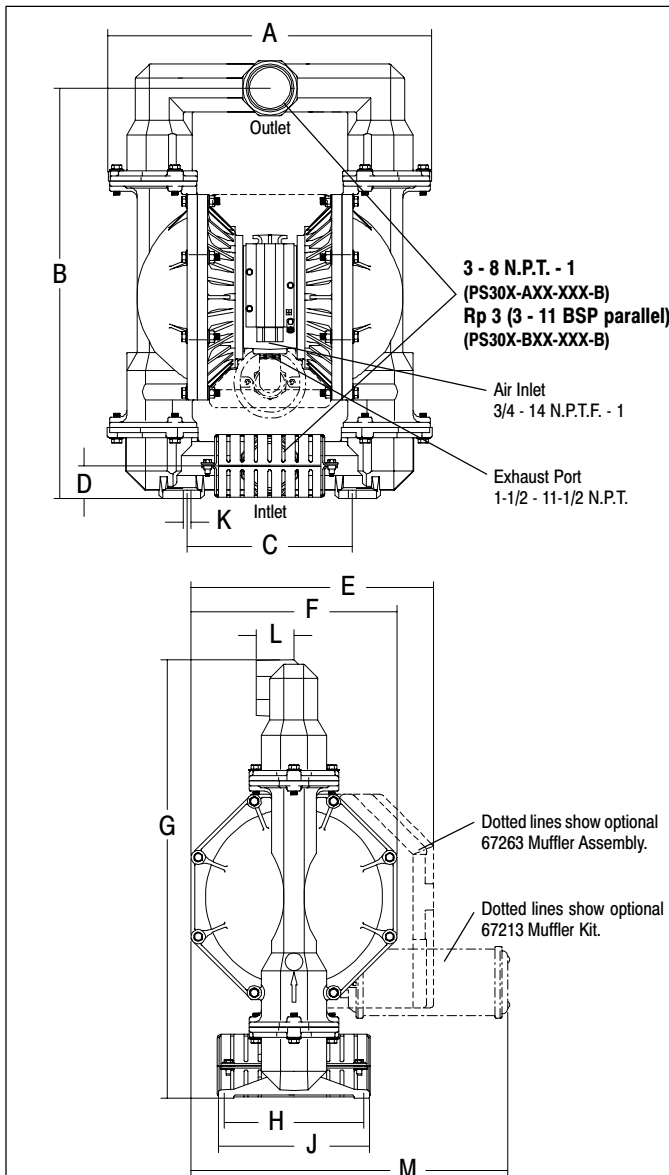
FLUID P.S.I. RANGE: **20 - 120**

PS30X-XXX-XXX-B

3" METALLIC DIAPHRAGM PUMP

RELEASED: 10-30-98
REVISED: 1-22-01
S-1185

DIMENSIONAL DATA



DIMENSIONS

A	see below	E	17-11/16" (449.2 mm)	J	see below
B	30" (761.7 mm)	F	15" (381 mm)	K	9/16" (14.3 mm)
C	12-1/16" (306.5 mm)	G	32" (812.5 mm)	L	2-3/4" (69.9 mm)
D	see below	H	10-5/32" (258 mm)	M	23-3/32" (586.3 mm)

	"A"	"D"	"J"
PS30X-XAX	23-5/8" (598.7 mm)	2-3/8" (60.3 mm)	11" (279.4 mm)
PS30X-XCX	23-5/8" (598.7 mm)	2-7/16" (61.1 mm)	11-11/16" (296.1 mm)
PS30X-XHX	23-1/8" (587.3 mm)	2-3/4" (69.9 mm)	11-11/16" (296.1 mm)
PS30X-XSX	23-1/8" (587.3 mm)	2-3/4" (69.9 mm)	11-11/16" (296.1 mm)

NOTE: Dimensions are shown in inches and (mm), supplied for reference only and are typically rounded up to the nearest 1/16 inch.

SPECIFICATIONS

CONSTRUCTION

Model Series	PS30X-XXX-XXX-B
Pump Type	Metallic, Air Operated, Double Diaphragm
Ratio	1:1
Material Inlet / Outlet (female)	
PS30X-XAX-XXX-B	3 - 8 N.P.T. - 1
PS30X-XBX-XXX-B	Rp 3 (3 - 11 BSP parallel)
Air Inlet (female)	3/4 - 14 N.P.T.F. - 1
Air Exhaust (female)	1-1/2 - 11-1/2 N.P.T.F. - 1
Weight	
PS30X-XAX-XXX-B	113 lbs (51.3 kgs)
PS30X-XCX-XXX-B	197 lbs (89.4 kgs)
PS30X-XHX-XXX-B	203 lbs (92.1 kgs)
PS30X-XSX-XXX-B	203 lbs (92.1 kgs)

[add 40 lbs (18.1 kgs) for stainless steel air motor section]

Air Section Service Kit	637302
Fluid Section Service Kit	637303-XX

PS30X-XXX- X X X -B

637303 - X X

Diaphragm Material
Ball Material

EXAMPLE: Model#PS30A-AAP-AAA-B

Fluid Section Service Kit is 637303-AA

PERFORMANCE

Air Inlet Pressure Range	20 - 120 p.s.i. (1 - 8.3 bar)
Maximum Material Inlet Pressure	10 p.s.i. (.69 bar)
Fluid Outlet Pressure Range	20 - 120 p.s.i. (1 - 8.3 bar)
Maximum Flow Rate (Flooded Inlet)	275 g.p.m. (1,041 l.p.m.)
Maximum Particle Size	3/8" dia. (9.5 mm)
Maximum Temperature Limits	200°F (93°C)
Displacement / Cycle @ 100 p.s.i.	2.8 gal (10.6 lit.)
Noise Level @ 70 p.s.i. - 50 c.p.m.①	83.0 db(A)②

Notes:

① Tested with 67263 muffler assembly installed.

② The pump sound pressure level has been updated to an Equivalent Continuous Sound Level (L_{Aeq}) to meet the intent of ANSI S1. 13-1971, CAGI-PNEUROP S5.1 using four microphone locations.

ACCESSORIES:

- 66109 Air Line Connection Kit
- 67263 Continuous Muffler
- 94117 Int. Muffler
- 67213 Muffler Kit



PERFORMANCE CURVES

PS30X-XXX-XXX-B 3" METALLIC DIAPHRAGM PUMP

