

SALES & ENGINEERING DATA

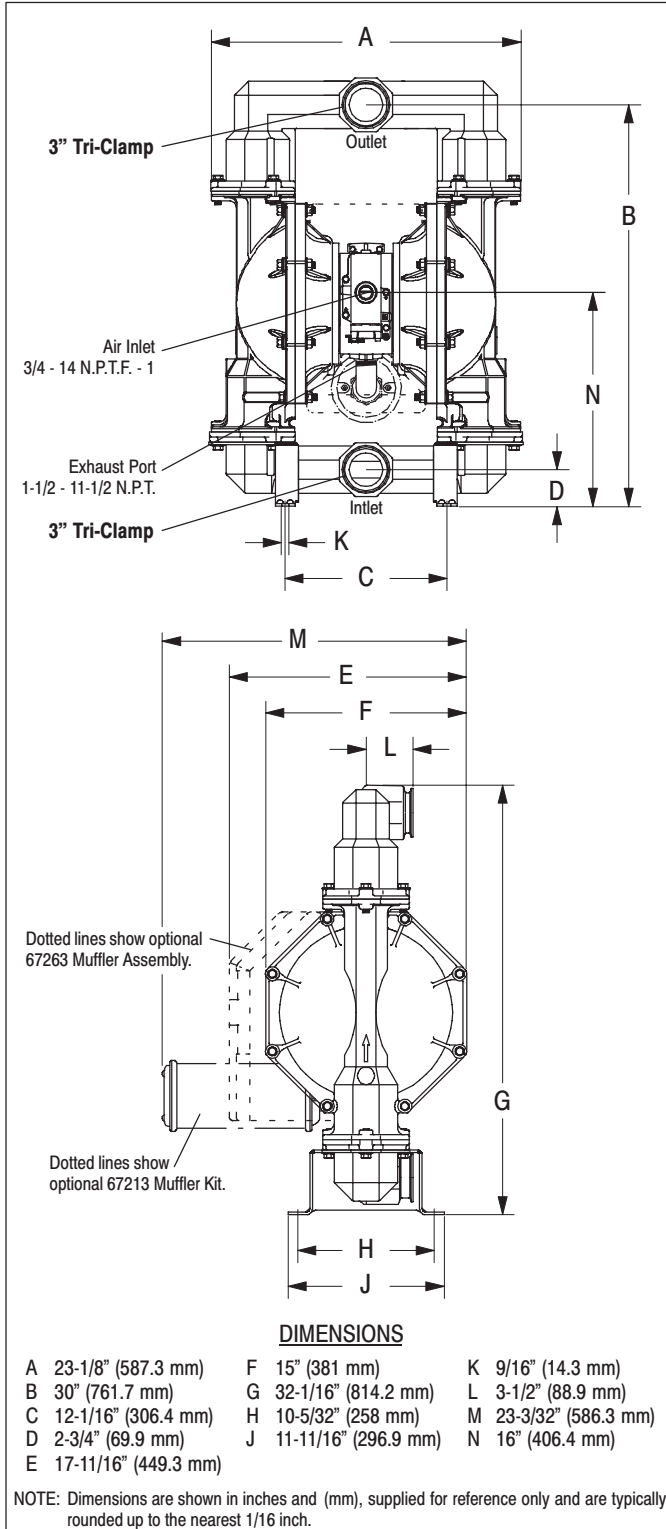
PM30A-CSS-XXX-C02 & PM30S-CSS-XXX-C02 3" METALLIC DIAPHRAGM PUMP

RATIO SERIES: 1:1

FLUID P.S.I. RANGE: 20 - 120

RELEASED: 2-14-05
REVISED: 3-17-05
(REV. 02) S-1346

DIMENSIONAL DATA



SPECIFICATIONS

CONSTRUCTION

Model Series	PM30A-CSS-XXX-C02
	PM30S-CSS-XXX-C02
Pump Type	Metallic, Air Operated, Double Diaphragm
Ratio	1:1
Material Inlet / Outlet	3" Tri-Clamp
Air Inlet (female)	3/4 - 14 N.P.T.F. - 1
Air Exhaust (female)	1-1/2 - 11-1/2 N.P.T.
Weight	PM30A-CSS-XXX-C02 . . . 227.5 lbs (103.2 kgs)
	PM30S-CSS-XXX-C02 . . . 267.2 lbs (121.2 kgs)
Air Section Service Kit	637421
Major Air Valve Assembly	637374-X
Fluid Section Service Kit	637303-XX

PM30X-CSS- X -C02

637303 -

Diaphragm Material
Ball Material

EXAMPLE: Model#PM30S-CSS-SAA-C02

Fluid Section Service Kit is 637303-AA

PERFORMANCE

Air Inlet Pressure Range	20 - 120 p.s.i. (1.4 - 8.3 bar)
Maximum Material Inlet Pressure	10 p.s.i. (0.69 bar)
Fluid Outlet Pressure Range	20 - 120 p.s.i. (1.4 - 8.3 bar)
Maximum Flow Rate	237 g.p.m. (897 l.p.m.)
flooded inlet	275 g.p.m. (1,041 l.p.m.)
Maximum Particle Size	3/8" dia. (9.5 mm)
Maximum Temperature Limits (diaphragm / ball / seal material)	
E.P.R.	-60 to 280° F (-51 to 138° C)
Santoprene	-40 to 225° F (-40 to 107° C)
T.F.E. (Teflon)	40 to 225° F (4 to 107° C)
Displacement / Cycle @ 100 p.s.i.	2.8 gal. (10.6 lit.)
Noise Level @ 70 p.s.i. - 50 c.p.m.①	83.0 db(A)②

Notes:

① Tested with 67263 muffler assembly installed.

② The pump sound pressure level has been updated to an Equivalent Continuous Sound Level (L_{Aeq}) to meet the intent of ANSI S1. 13-1971, CAGI-PNEUROP S5.1 using four microphone locations.

ACCESSORIES:

66109 Air line Connection Kit
67213 Muffler Kit
67263 Continuous Muffler
94117 Int. Muffler

INGERSOLL-RAND COMPANY
P.O. BOX 151 • ONE ARO CENTER • BRYAN, OHIO 43506-0151

☎ (800) 276-4658 • FAX (800) 266-7016

©2005

CCN 15227804

ARO®
IR Ingersoll Rand®

PERFORMANCE CURVES

PM30A-CSS-XXX-C02 / PM30S-CSS-XXX-C02 3" METALLIC DIAPHRAGM PUMP

