

# SALES & ENGINEERING DATA

RATIO SERIES: **1:1**

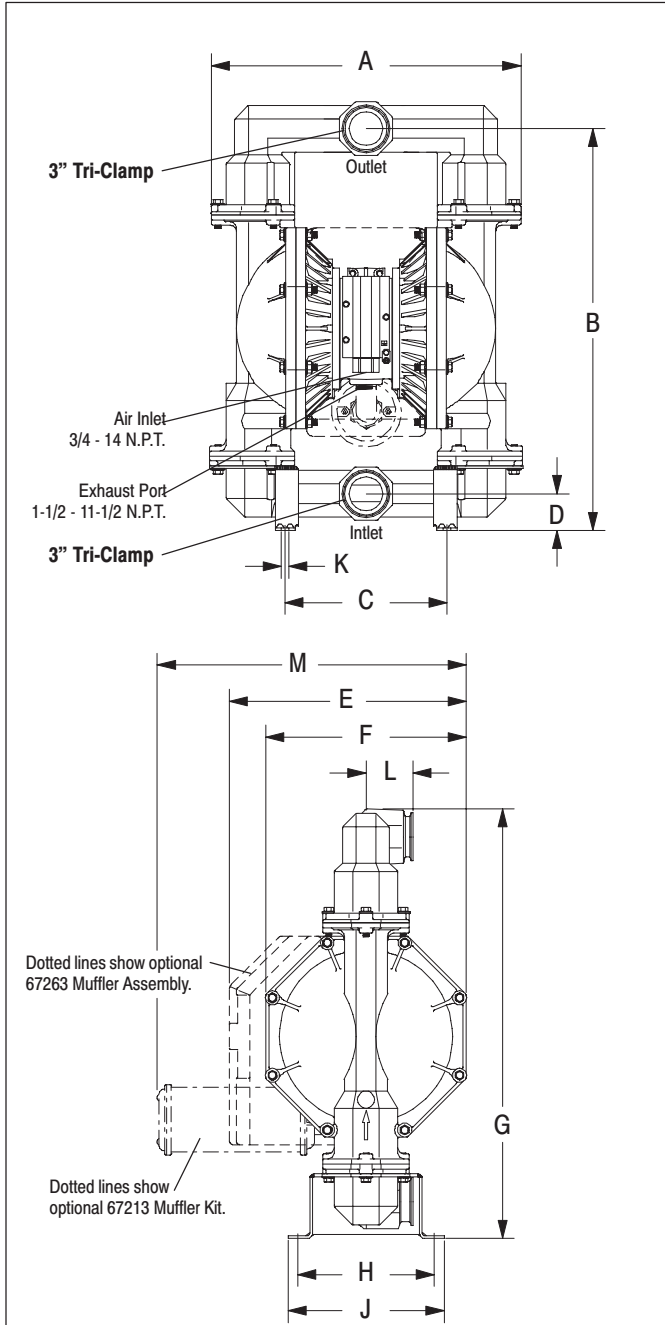
FLUID P.S.I. RANGE: **20 - 120**

**PM30X-CSS-XXX-B02**

**3" METALLIC DIAPHRAGM PUMP**

RELEASED: 7-1-99  
 REVISED: 10-19-04  
 (REV. 04) S-1088

## DIMENSIONAL DATA



### DIMENSIONS

A 23-1/8" (587.3 mm)	E 17-11/16" (449.3 mm)	J 11-11/16" (296.9 mm)
B 30" (761.7 mm)	F 15" (381 mm)	K 9/16" (14.3 mm)
C 12-1/16" (306.4 mm)	G 32-1/16" (814.2 mm)	L 3-1/2" (88.9 mm)
D 2-3/4" (69.9 mm)	H 10-5/32" (258 mm)	M 23-3/32" (586.3 mm)

NOTE: Dimensions are shown in inches and (mm), supplied for reference only and are typically rounded up to the nearest 1/16 inch.

## SPECIFICATIONS

### CONSTRUCTION

Model Series	PM30X-CSS-XXX-B02
Pump Type	Metallic, Air Operated, Double Diaphragm
Ratio	1:1
Material Inlet / Outlet	3" Tri-Clamp
Air Inlet (female)	3/4 - 14 N.P.T.
Air Exhaust (female)	1-1/2 - 11-1/2 N.P.T.
Weight (PM30S-CSS-XXX-B02)	248 lbs (112.5 kgs)
(PM30A-CSS-XXX-B02)	208.4 lbs (94.5 kgs)
Air Section Service Kit	637302
Fluid Section Service Kit	637303-XX

PM30X-CSS- X   -B02

637303 -

Diaphragm Material  
 Ball Material

EXAMPLE: Model#PM30S-CSS-SAA-B02  
 Fluid Section Service Kit is 637303-AA

### PERFORMANCE

Air Inlet Pressure Range	20 - 120 p.s.i. (1.4 - 8.3 bar)
Maximum Material Inlet Pressure	10 p.s.i. (0.69 bar)
Fluid Outlet Pressure Range	20 - 120 p.s.i. (1.4 - 8.3 bar)
Maximum Flow Rate (flooded inlet)	275 g.p.m. (1,041 l.p.m.)
Maximum Particle Size	3/8" dia. (9.5 mm)
Maximum Temperature Limits (diaphragm / ball / seal material)	
E.P.R.	-60 to 280° F (-51 to 138° C)
Santoprene	-40 to 225° F (-40 to 107° C)
T.F.E. (Teflon)	40 to 225° F (4 to 107° C)
Displacement / Cycle @ 100 p.s.i.	2.8 gal. (10.6 lit.)
Noise Level @ 70 p.s.i. - 50 c.p.m.①	83.0 db(A)②

### Notes:

- ① Tested with 67263 muffler assembly installed.
- ② The pump sound pressure level has been updated to an Equivalent Continuous Sound Level (L<sub>Aeq</sub>) to meet the intent of ANSI S1. 13-1971, CAGI-PNEUROP S5.1 using four microphone locations.

### ACCESSORIES:

- 66109 Air line Connection Kit
- 67213 Muffler Kit
- 67263 Continuous Muffler
- 94117 Int. Muffler

INGERSOLL-RAND COMPANY  
 P.O. BOX 151 • ONE ARO CENTER • BRYAN, OHIO 43506-0151

☎ (800) 276-4658 • FAX (800) 266-7016

©2004

CCN 99834186



# PERFORMANCE CURVES

## PM30X-CSS-XXX-B02 3" METALLIC DIAPHRAGM PUMP

