

SALES & ENGINEERING DATA

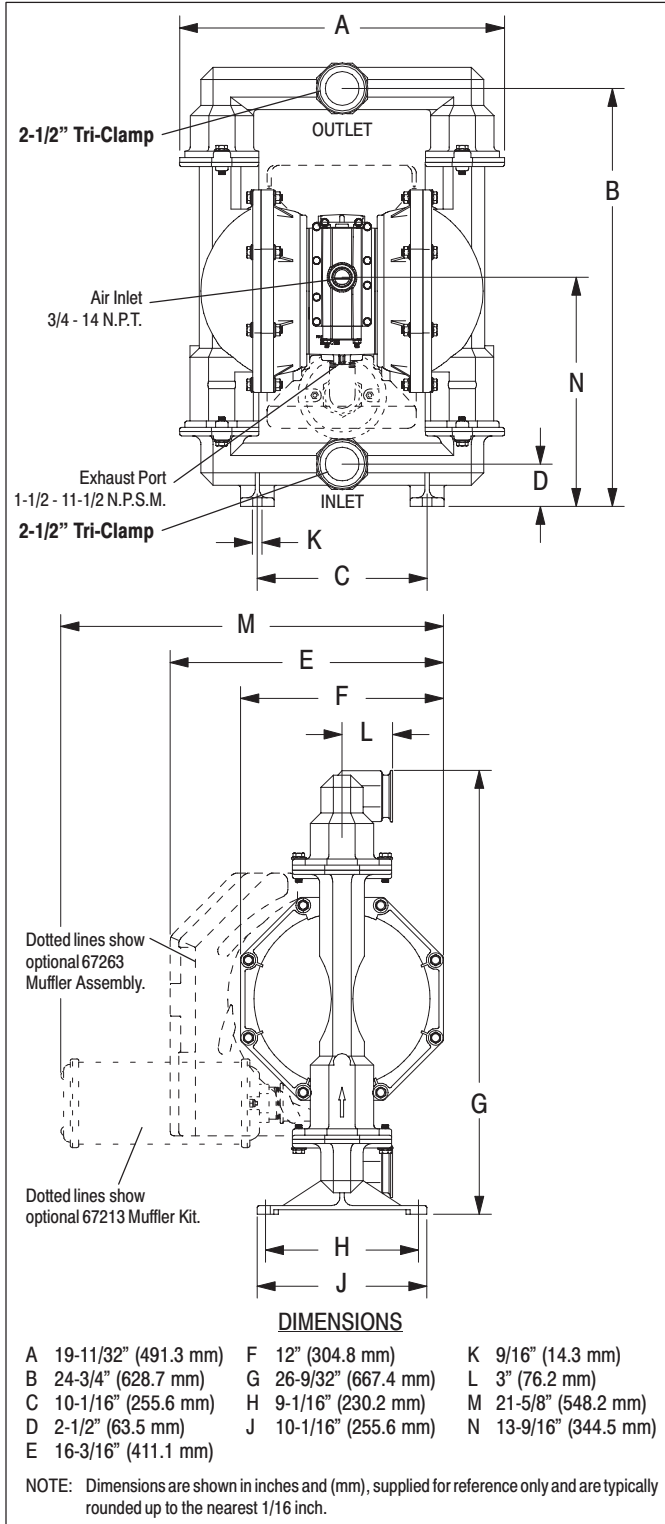
RATIO SERIES: **1:1**

FLUID P.S.I. RANGE: **20 - 120**

PM20R-CSS-XXX-B02 2" METALLIC DIAPHRAGM PUMP

RELEASED: 2-8-05
REVISED: 3-17-05
(REV. 02) S-1345

DIMENSIONAL DATA



SPECIFICATIONS

CONSTRUCTION

| | |
|---------------------------|--|
| Model Series | PM20R-CSS-XXX-B02 |
| Pump Type | Metallic, Air Operated, Double Diaphragm |
| Ratio | 1:1 |
| Material Inlet / Outlet | 2-1/2" Tri-Clamp |
| Air Inlet (female) | 3/4 - 14 N.P.T. |
| Air Exhaust (female) | 1-1/2 - 11-1/2 N.P.S.M. |
| Weight | 157.4 lbs (71.4 kgs) |
| Air Section Service Kit | 637369 |
| Fluid Section Service Kit | 637309-XX |

PM20R-CSS-X -B02

637309 -

Diaphragm Material
Ball Material

EXAMPLE: Model # PD20R-CSS-SAA-B02
Fluid Section Service Kit is 637309-AA

PERFORMANCE

| | |
|--|---------------------------------|
| Air Inlet Pressure Range | 20 - 120 p.s.i. (1.4 - 8.3 bar) |
| Maximum Material Inlet Pressure | 10 p.s.i. (0.69 bar) |
| Fluid Pressure Range | 20 - 120 p.s.i. (1.4 - 8.3 bar) |
| Maximum Flow Rate | 172 g.p.m. (651 l.p.m.) |
| Displacement / Cycle @ 100 p.s.i. | 1.4 gal. (5.3 lit.) |
| Maximum Particle Size | 1/4" dia. (6.4 mm) |
| Maximum Temperature Limits (diaphragm / ball / seal material) | |
| E.P.R. / EPDM | -60° to 280° F (-51° to 138° C) |
| Nitrile | 10° to 180° F (-12° to 82° C) |
| Polypropylene | 35° to 150° F (2° to 66° C) |
| Santoprene | -40° to 225° F (-40° to 107° C) |
| T.F.E. (Teflon) | 40° to 225° F (4° to 107° C) |
| Noise Level @ 70 p.s.i. - 60 c.p.m.① | 85.0 db(A)② |

① Tested with 67263 muffler assembly installed.

② The pump sound pressure level has been updated to an Equivalent Continuous Sound Level (L_{Aeq}) to meet the intent of ANSI S1.13-1971, CAGI-PNEUROPS S5.1 using four microphone locations.

ACCESSORIES:

- 66312 Air Line Connection Kit
- 67213 Muffler Kit
- 67263 Continuous Muffler
- 94117 Int. Muffler

PERFORMANCE CURVES

PM20R-CSS-XXX-B02 2" METALLIC DIAPHRAGM PUMP

