

# SALES & ENGINEERING DATA

RATIO SERIES: **1:1**

FLUID P.S.I. RANGE: **20 - 120**

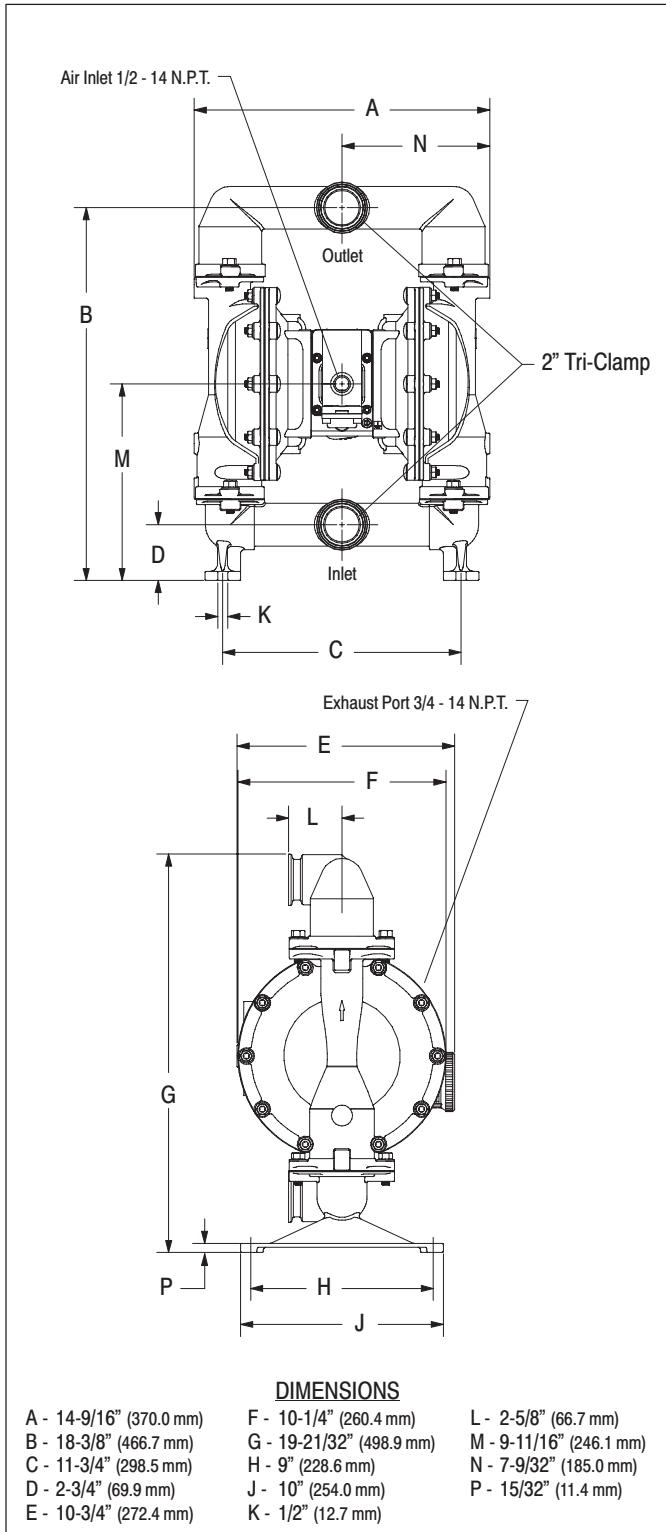
RELEASED: 1-7-04

REVISED: 3-2-05

(REV. 03) S-1287

## PM15X-CSS-XXX-A02 1-1/2" METALLIC DIAPHRAGM PUMP

### DIMENSIONAL DATA



### SPECIFICATIONS

#### CONSTRUCTION

<b>Model Series</b> .....	PM15X-CSS-XXX-A02
<b>Pump Type</b> .....	Metallic, Air Operated, Double Diaphragm
<b>Ratio</b> .....	1:1
<b>Material Inlet / Outlet</b> .....	2" Tri-Clamp
<b>Air Inlet (female)</b> .....	1/2 - 14 N.P.T.
<b>Air Exhaust (female)</b> .....	3/4 - 14 N.P.T.
<b>Weight</b> ..	PM15A-CSS-XXX-A02 ... 61.86 lbs (28.06 kgs)
	PM15R-CSS-XXX-A02 ... 60.26 lbs (27.33 kgs)
	PM15S-CSS-XXX-A02 ... 77.86 lbs (35.32 kgs)
<b>Air Section Service Kit</b> .....	637389
<b>Major Air Valve Assembly Kit</b> .....	637390-X
<b>Fluid Section Service Kit</b> .....	637375-XX

PM15X-CSS-X   -A02

637375 -

Diaphragm Material  
Ball Material

EXAMPLE: Model # PM15S-CSS-SAA-A02

Fluid Section Service Kit is 637375-AA

#### PERFORMANCE

<b>Air Inlet Pressure Range</b> .....	20 - 120 p.s.i. (1.4 - 8.3 bar)
<b>Maximum Material Inlet Pressure</b> ..	10 p.s.i. (0.69 bar)
<b>Fluid Pressure Range</b> .....	20 - 120 p.s.i. (1.4 - 8.3 bar)
<b>Maximum Flow Rate (flooded inlet)</b> ...	123 g.p.m. (465.6 l.p.m.)
<b>Displacement / Cycle @ 100 p.s.i.</b> ..	0.617 gal. (2.34 lit.)
<b>Maximum Particle Size</b> .....	1/4" dia. (6.4 mm)
<b>Maximum Temperature Limits (diaphragm / ball / seal material)</b>	
E.P.R. / EPDM .....	-60° to 280° F (-51° to 138° C)
Polypropylene .....	35° to 150° F (2° to 66° C)
Santoprene .....	-40° to 225° F (-40° to 107° C)
T.F.E. (Teflon) .....	40° to 225° F (4° to 107° C)
<b>Noise Level @ 70 p.s.i. - 60 c.p.m.</b> ..	85.0 db(A) <sup>①</sup>

① The pump sound pressure level has been updated to an Equivalent Continuous Sound Level ( $L_{Aeq}$ ) to meet the intent of ANSI S1. 13-1971, CAGI-PNEUROP S5.1 using four microphone locations.

# PERFORMANCE CURVES

## PM15X-CSS-XXX-A02 1-1/2" METALLIC DIAPHRAGM PUMP

